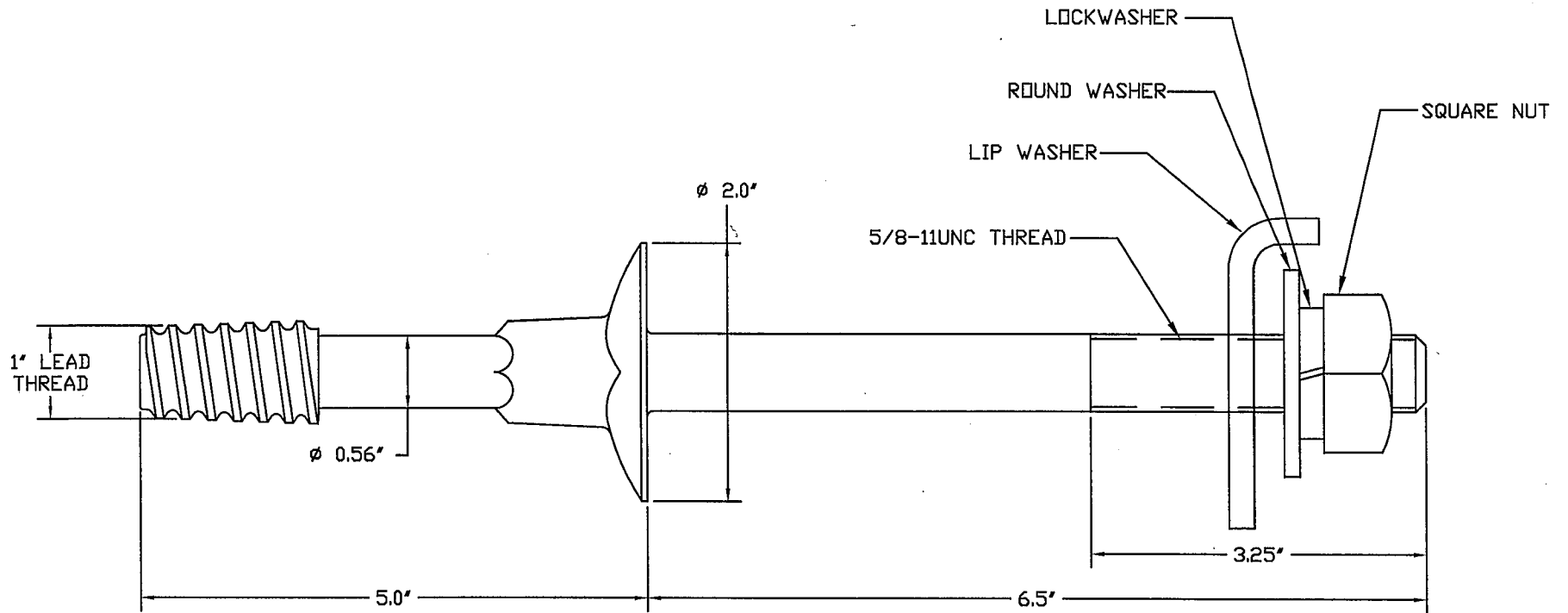


NOTE:

1.) MATERIAL: STEEL, HOT DIP GALVANIZED PER ASTM A153
(LATEST REVISION) EXCEPT FOR LEAD THREAD.



CATALOG NUMBER: T2060404

<p>CHANCE TOLERANCE CHART</p>		<p>HUBBELL POWER SYSTEMS POWER SYSTEMS, INC.</p>	
<p>CONFIDENTIAL: THIS DRAWING AND ITS CONTENTS ARE CONFIDENTIAL AND THE EXCLUSIVE PROPERTY OF HUBBELL POWER SYSTEMS. NO PUBLICATION, DISTRIBUTION OR COPIES MAY BE MADE WITHOUT THE WRITTEN CONSENT OF HUBBELL POWER SYSTEMS. HUBBELL POWER SYSTEMS UNPUBLISHED. ALL RIGHTS RESERVED UNDER THE COPYRIGHT LAWS.</p>			
<p>TITLE LOW VOLTAGE FORGED STEEL PIN</p>		<p>SIZE DWG NO. SB SA206-0404</p>	<p>CAT / PART / ASSY NO. T206-0404</p>
<p>DO NOT SCALE THIS DRAWING</p>	<p>DRN BY J.J.L.</p>	<p>DATE 01/26/10</p>	<p>REV ---</p> <p>SHEET 01 OF 01</p>