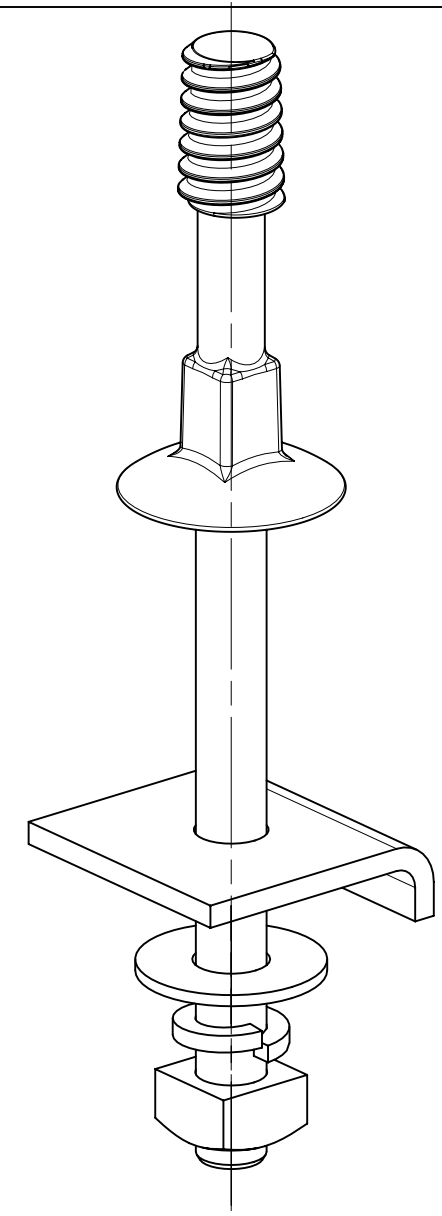
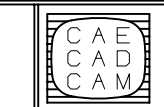
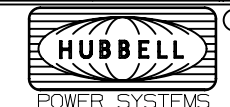


- NOTES-
1. MATERIAL: STEEL.
 2. FINISH: HOT DIP GALVANIZED PER ASTM A153 (LATEST REV).



CATALOG NUMBER	"A"	"B"
T206-0405	5.0	1"
T206-0406	7.0	1 3/8"

LATEST EC NO:		REV.	DATE	CHANGED BY	RESP ENGINEER
---		A	12/04/12	BERGER	KIRK
DRN BY: DATE				TITLE:	
S. C.		02/09/88		HEAVY INSULATOR PIN	
				DO NOT SCALE THIS DWG	THIRD ANGLE PROJECTION
				ISO DUAL DIMENSIONS IN=INCH, MM=MILLIMETER	
				SIZE	B



DWG NO: SA2060405

CONFIDENTIAL: THIS DRAWING AND ITS CONTENTS ARE CONFIDENTIAL AND THE EXCLUSIVE PROPERTY OF HUBBELL POWER SYSTEMS, INC. NO PUBLICATION, DISTRIBUTION OR COPIES MAY BE MADE WITHOUT WRITTEN CONSENT BY HUBBELL POWER SYSTEMS, INC. © 2012 HUBBELL POWER SYSTEMS. UNPUBLISHED, ALL RIGHTS RESERVED UNDER THE COPYRIGHT LAWS