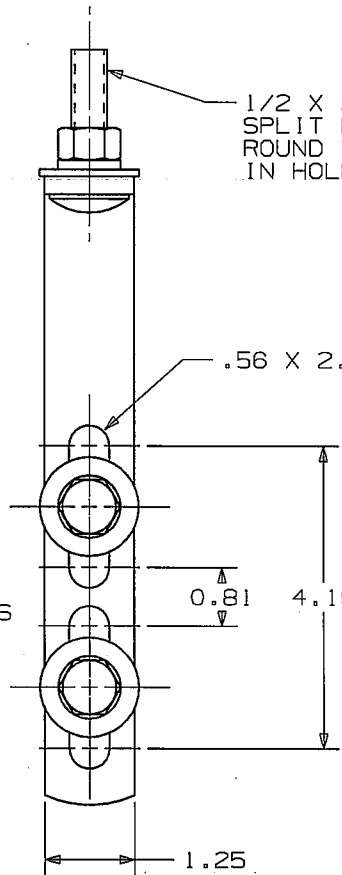


1/2 X 1 HEX BOLTS,
SPLIT RING LOCKWASHERS AND
ROUND WASHERS WITH PUSHNUTS
HOLDING IN SLOTS



1/2 X 2 CARRIAGE BOLT,
SPLIT RING LOCKWASHER AND
ROUND WASHER (BOLT HELD CAPTIVE
IN HOLE)

.56 X 2.25 MOUNTING SLOTS

NOTES :

- 1.) ASSEMBLED COMPLETE AS SHOWN
- 2.) MATERIAL: STEEL
FINISH: HOT DIP GALVANIZED PER ASTM A153.

CATALOG NUMBER: C2060660

LATEST EC NO:		REV.	DATE	CHANGED BY	RESP ENGINEER
---		-	-----	---	---
				DO NOT SCALE THIS DWG	THIRD ANGLE PROJECTION
				ISO DUAL DIMENSIONS IN=INCH, MM=MILLIMETER	
DRN BY:	DATE	TITLE:			SIZE
JUL	07-02-09	ARRESTER MOUNTING BRACKET			B
				DWG NO:	SA206-0660

CONFIDENTIAL: THIS DRAWING AND ITS CONTENTS ARE CONFIDENTIAL AND THE EXCLUSIVE PROPERTY OF HUBBELL / A.B. CHANCE COMPANY. NO PUBLICATION, DISTRIBUTION OR COPIES MAY BE MADE WITHOUT WRITTEN CONSENT BY HUBBELL / A.B. CHANCE COMPANY. © 2001 HUBBELL/A.B. CHANCE. UNPUBLISHED - ALL RIGHTS RESERVED UNDER THE COPYRIGHT LAWS