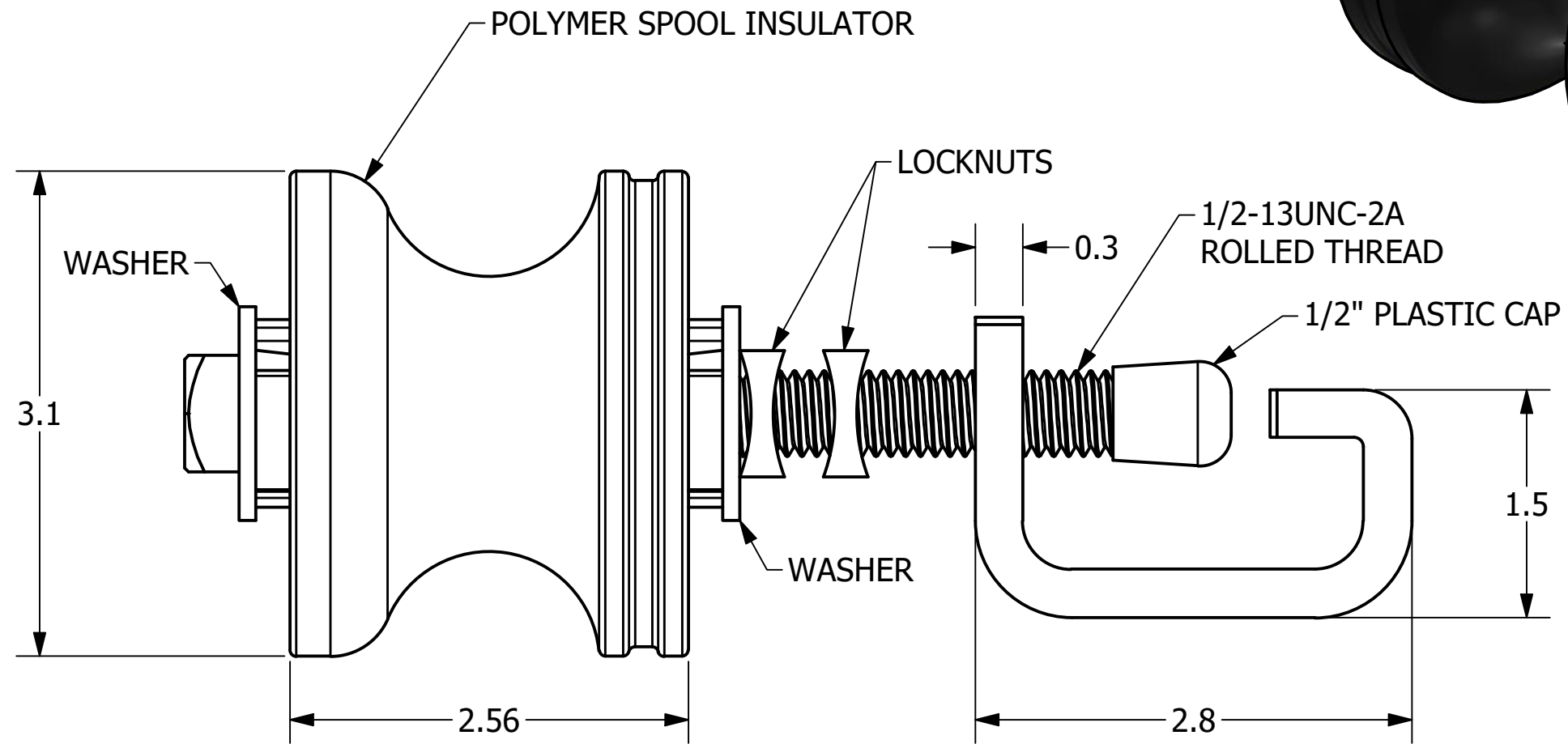
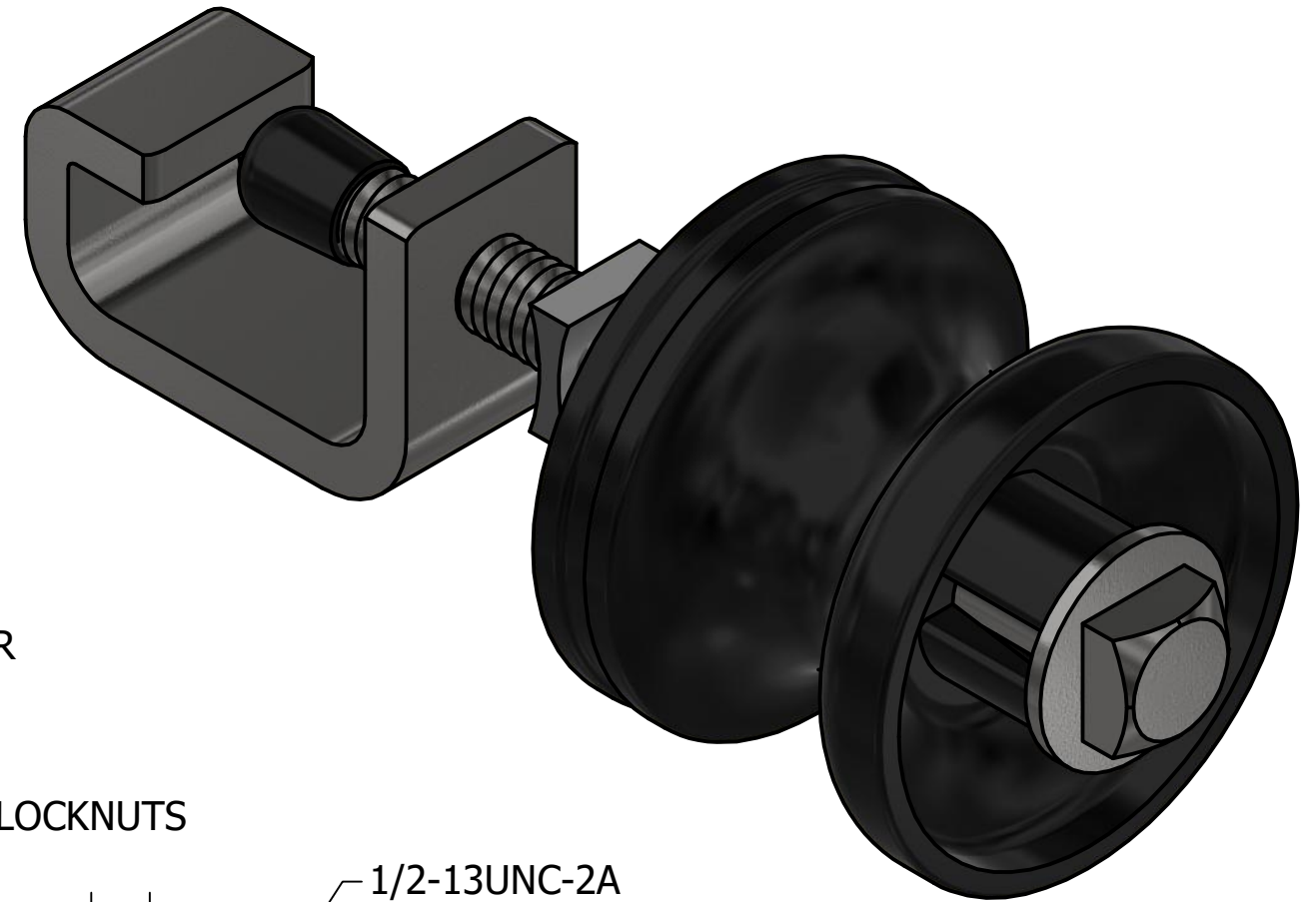


-NOTES-

1. ALL HARDWARE HOT DIP GALVANIZED PER ASTM A153
2. POLYMER INSULATOR MEETS ANSI C23.3
3. ASSEMBLED COMPLETE AS SHOWN



CATALOG NUMBER: PSC2060691

<b>CHANCE</b> <sup>®</sup>		<b>HUBBELL</b> <sup>®</sup> HUBBELL POWER SYSTEMS, INC. <small>POWER SYSTEMS, INC.</small>	
CONFIDENTIAL: THIS DRAWING AND ITS CONTENTS ARE CONFIDENTIAL AND THE EXCLUSIVE PROPERTY OF HUBBELL POWER SYSTEMS. NO PUBLICATION, DISTRIBUTION, OR COPIES MAY BE MADE WITHOUT THE WRITTEN CONSENT OF HUBBELL POWER SYSTEMS. HUBBELL POWER SYSTEMS UNPUBLISHED ALL RIGHTS RESERVED UNDER THE COPYRIGHT LAWS.			
TITLE <b>BRACKET, TRANSFORMER SECONDARY LEAD</b>		SIZE <b>B</b>	REV <b>A</b>
DO NOT SCALE THIS DRAWING	CAT / PART / ASSY NO. <b>PSC2060691</b>	DWG NO. <b>SA2060691</b>	DATE 6/7/21
	DRN BY HOEK	SHEET 1 OF 1	