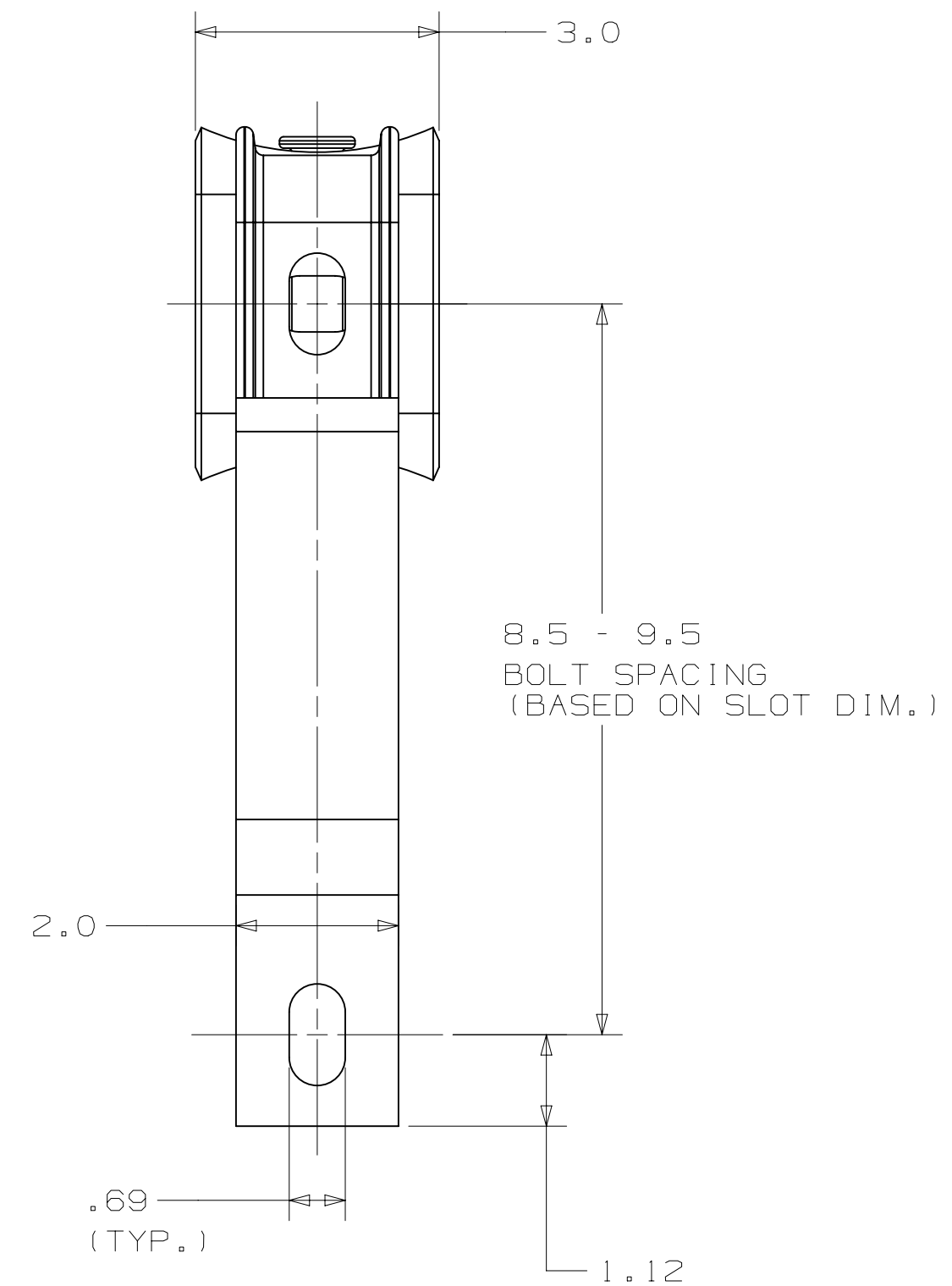


.625" X 4.5" CLEVIS
PIN WITH COTTER KEY



NOTES:

- 1.) ASSEMBLED COMPLETE AS SHOWN.
- 2.) MATERIAL: STRUCTURAL GRADE CHANNEL
2" X 9/16" X 3/16".
- 3.) HOT DIP GALVANIZED PER ASTM A153
(LATEST REVISION).

CATALOG NUMBER: PSC2060700

LATEST EC NO:		REV.	DATE	CHANGED BY	RESP ENGINEER
-----		A	-----	-----	-----
				DO NOT SCALE THIS DWG	THIRD ANGLE PROJECTION ISO DUAL DIMENSIONS IN=INCH, MM=MILLIMETER
DRN BY:	DATE	TITLE:			SIZE
JUL	07-03-08	BRACKET, SECONDARY			C
					DWG NO: SA206-0700

CONFIDENTIAL: THIS DRAWING AND ITS CONTENTS ARE CONFIDENTIAL AND THE EXCLUSIVE PROPERTY OF HUBBELL / A.B. CHANCE COMPANY. NO PUBLICATION, DISTRIBUTION OR COPIES MAY BE MADE WITHOUT WRITTEN CONSENT BY HUBBELL / A.B. CHANCE COMPANY.
 © 2001 HUBBELL/A.B. CHANCE. UNPUBLISHED - ALL RIGHTS RESERVED UNDER THE COPYRIGHT LAWS