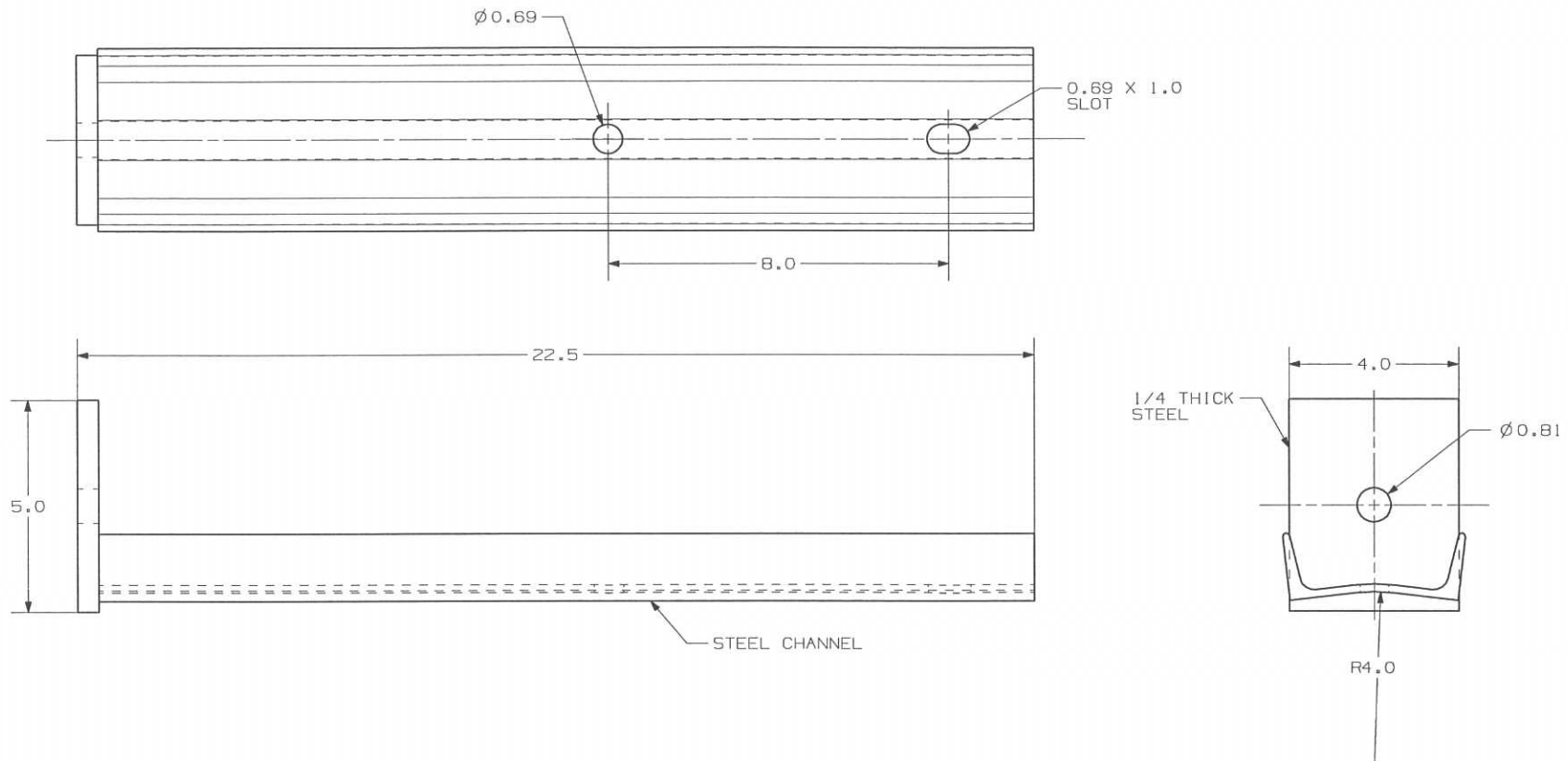


-NOTES-

1. FINISH: HOT DIP GALVANIZE PER ASTM A152 (LATEST REVISION).



CATALOG NUMBER  
PSC206-0842

LATEST EC NO:		REV.	DATE	CHANGED BY	RESP ENGINEER								
-----		-	-----	-----	-----								
<table border="1"> <tr> <td>DO NOT SCALE THIS DWG</td> <td> </td> </tr> <tr> <td colspan="2">THIRD ANGLE PROJECTION</td> </tr> <tr> <td colspan="2">1:50 DUAL DIMENSIONS</td> </tr> <tr> <td colspan="2">IN=INCH, MM=MILLIMETER</td> </tr> </table>					DO NOT SCALE THIS DWG		THIRD ANGLE PROJECTION		1:50 DUAL DIMENSIONS		IN=INCH, MM=MILLIMETER		SIZE
DO NOT SCALE THIS DWG													
THIRD ANGLE PROJECTION													
1:50 DUAL DIMENSIONS													
IN=INCH, MM=MILLIMETER													
DRN BY:	DATE:	TITLE:											
WILSON	03/25/11	POLE TOP BRACKET			C								
					DWG NO: SA206-0842								

CONFIDENTIAL: THIS DRAWING AND ITS CONTENTS ARE CONFIDENTIAL AND THE EXCLUSIVE PROPERTY OF HUBBELL POWER SYSTEMS, A DIVISION OF HUBBELL CORPORATION. NO REPRODUCTION OR DISSEMINATION OF ANY INFORMATION CONTAINED HEREIN IS PERMITTED WITHOUT THE WRITTEN CONSENT OF HUBBELL POWER SYSTEMS, A DIVISION OF HUBBELL CORPORATION. © 2001 HUBBELL A.B. CHANCE. UNPUBLISHED - ALL RIGHTS RESERVED UNDER THE COPYRIGHT LAWS