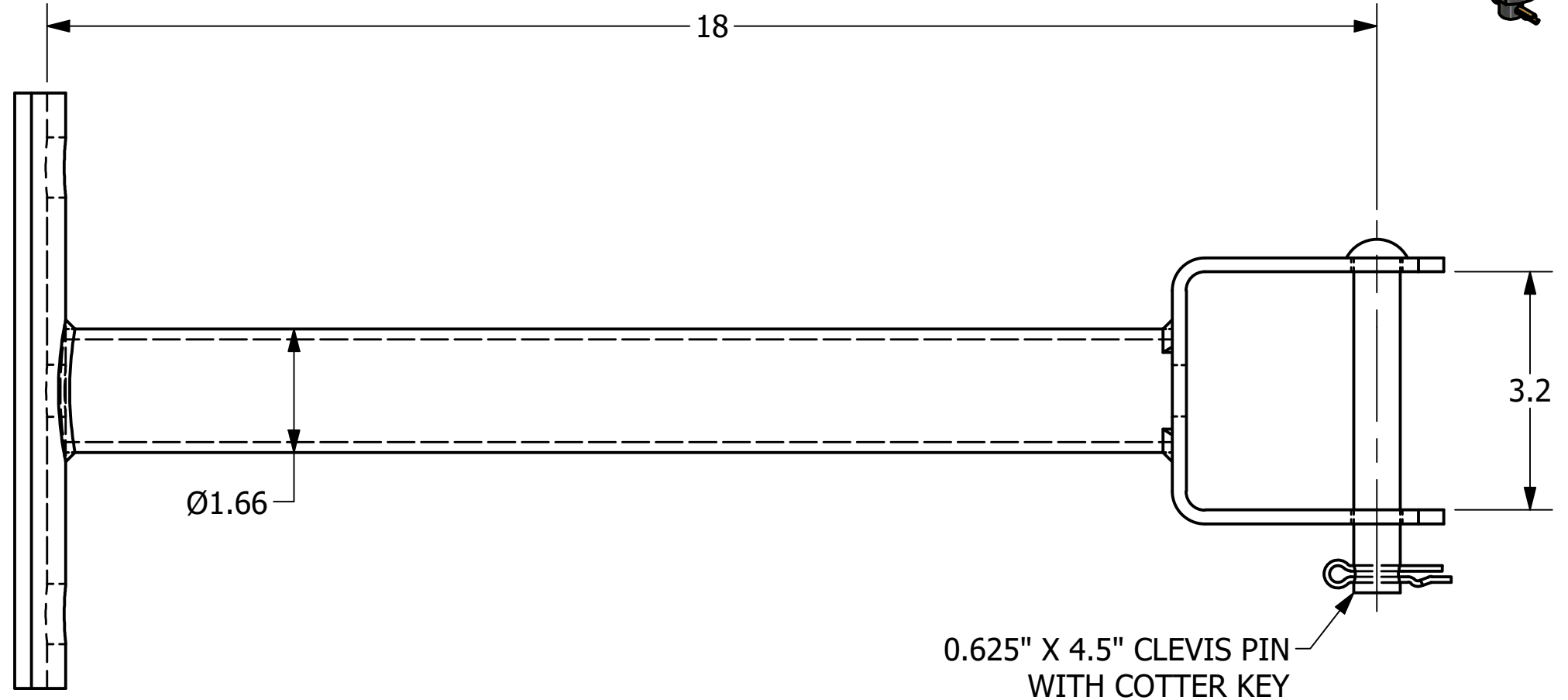
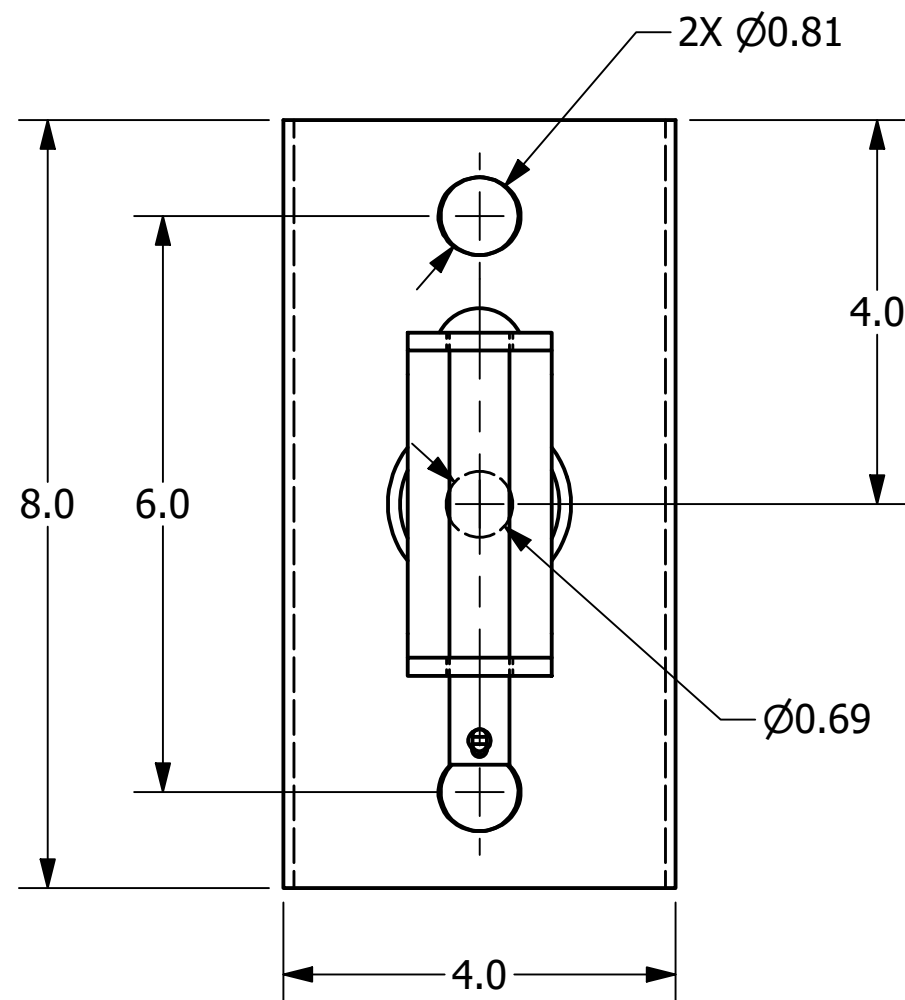
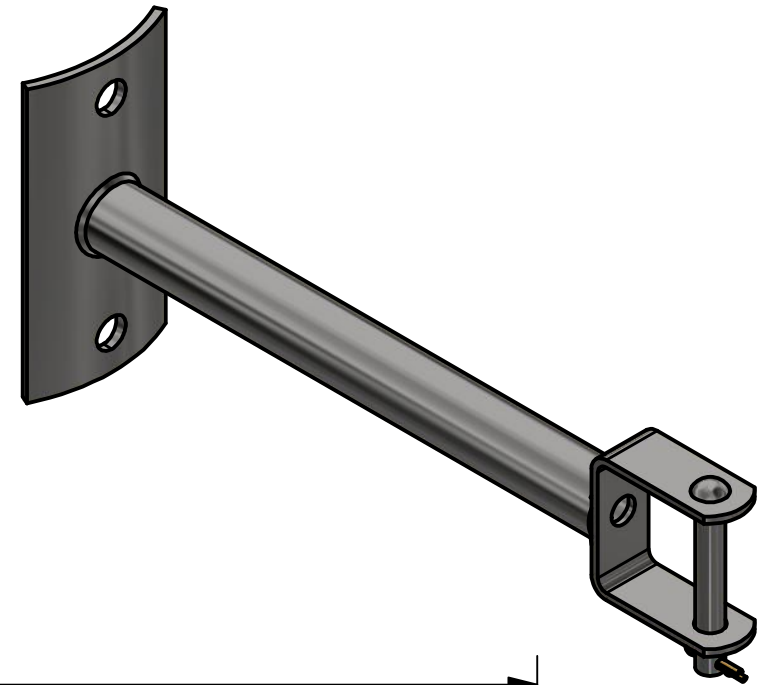


- NOTES-
1. MATERIAL: STRUCTURAL STEEL, HOT DIP GALVANIZED PER ASTM A153.
 2. ASSEMBLED AS SHOWN.



CHANCE [®]	HUBBELL [®] HUBBELL POWER SYSTEMS, INC.		
	POWER SYSTEMS, INC.		
TITLE EXTENSION BRACKET ASSEMBLY			
SIZE B	CAT / PART / ASSY NO. PSC2060915	DWG NO. SA2060915	REV A
DO NOT SCALE THIS DRAWING	DRN BY HOEK	DATE 9/28/21	SHEET 1 OF 1

CONFIDENTIAL: THIS DRAWING AND ITS CONTENTS ARE CONFIDENTIAL AND THE EXCLUSIVE PROPERTY OF HUBBELL POWER SYSTEMS. NO PUBLICATION, DISTRIBUTION, OR COPIES MAY BE MADE WITHOUT THE WRITTEN CONSENT OF HUBBELL POWER SYSTEMS. HUBBELL POWER SYSTEMS UNPUBLISHED ALL RIGHTS RESERVED UNDER THE COPYRIGHT LAWS.