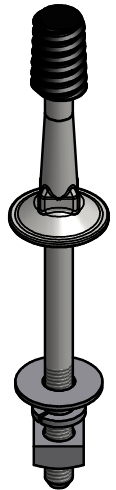
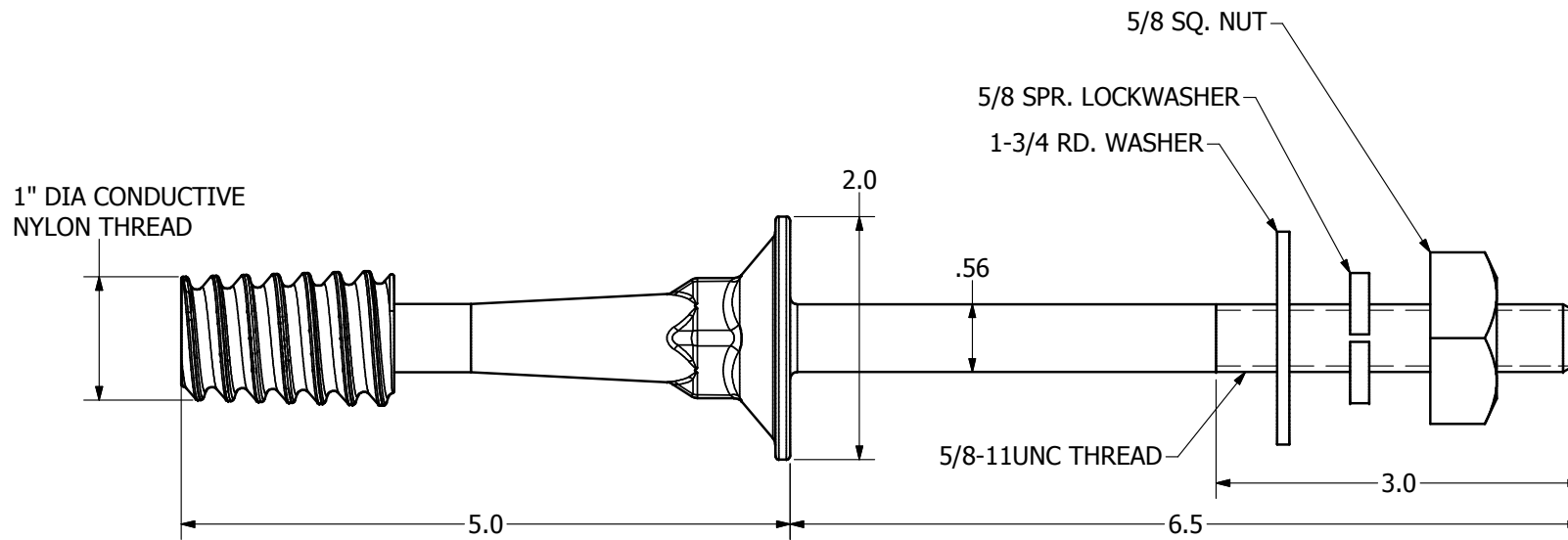



NOTES

1. MATERIAL: STEEL, HOT DIP GALVANIZED PER ASTM A153 EXCEPT CONDUCTIVE NYLON THREAD.



CATALOG NO. PSC2061017P

CHANCE®		 HUBBELL POWER SYSTEMS, Inc.	
<small>CONFIDENTIAL: THIS DRAWING AND ITS CONTENTS ARE CONFIDENTIAL AND THE EXCLUSIVE PROPERTY OF HUBBELL POWER SYSTEMS. NO PUBLICATION, DISTRIBUTION OR COPIES MAY BE MADE WITHOUT THE WRITTEN CONSENT OF HUBBELL POWER SYSTEMS. HUBBELL POWER SYSTEMS UNPUBLISHED ALL RIGHTS RESERVED UNDER THE COPYRIGHT LAWS.</small>		TITLE NYLON THREAD FORGED LV PIN	
		SIZE SB PSC2061017P	DWG NO. SA206-1017P
		DO NOT SCALE THIS DRAWING	DRN BY WILSON
		DATE 10/01/14	SHEET 1 OF 1