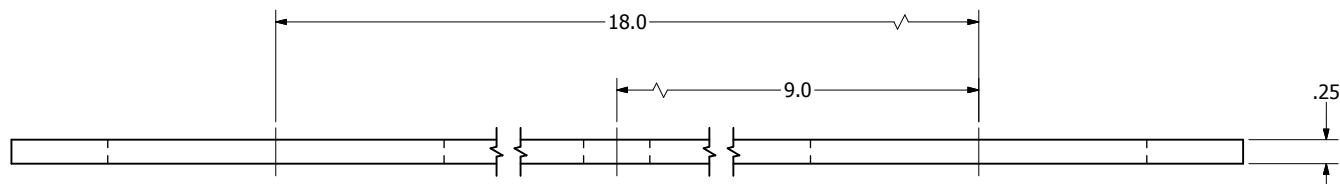
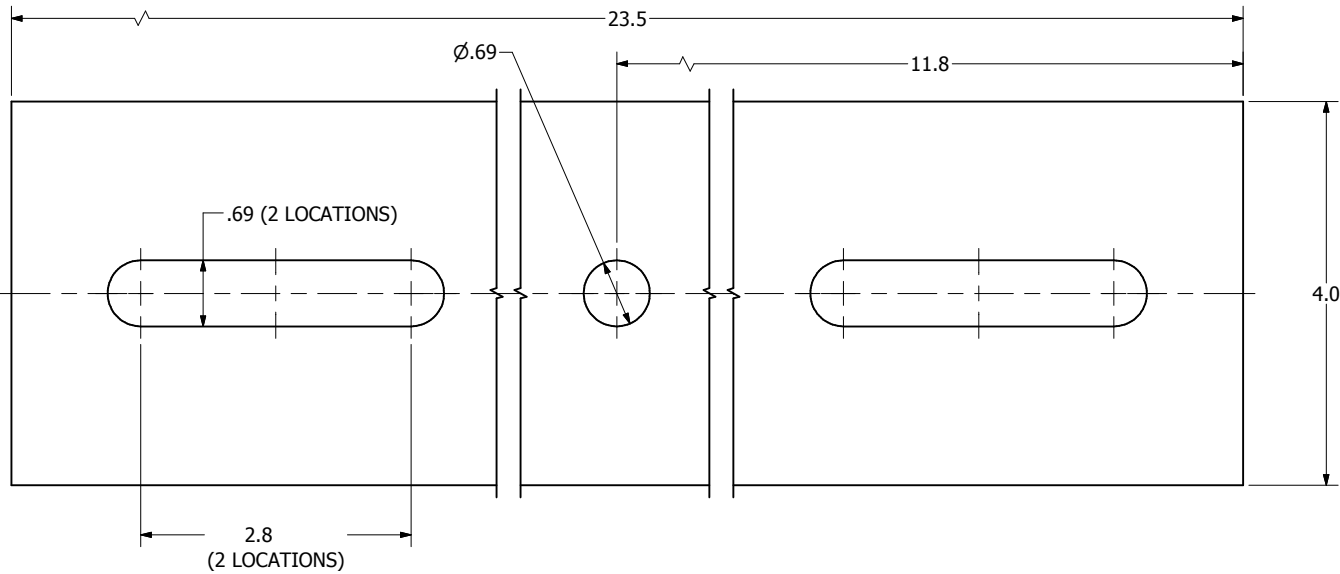
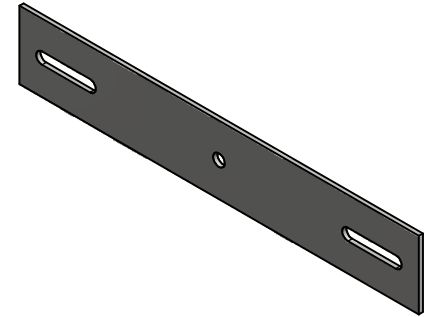


NOTES

1. MATERIAL: STEEL
2. FINISH: HOT DIP GALVANIZE PER ASTM A153



CATALOG NO. PSC2061025

CHANCE [®]		HUBBELL [®] POWER SYSTEMS, INC.	
TITLE			
DOUBLE ARMING PLATE			
SIZE	CAT / PART / ASSY NO.	DWG NO.	REV
C	PSC2061025	SA2061025	-
DO NOT SCALE THIS DRAWING	DRN BY WILSON	DATE 02/24/15	SHEET 1 OF 1

CONFIDENTIAL: THIS DRAWING AND ITS CONTENTS ARE CONFIDENTIAL AND THE EXCLUSIVE PROPERTY OF HUBBELL POWER SYSTEMS. NO PUBLICATION, DISTRIBUTION, OR COPIES MAY BE MADE WITHOUT THE WRITTEN CONSENT OF HUBBELL POWER SYSTEMS. HUBBELL POWER SYSTEMS UNPUBLISHED ALL RIGHTS RESERVED UNDER THE COPYRIGHT LAWS.