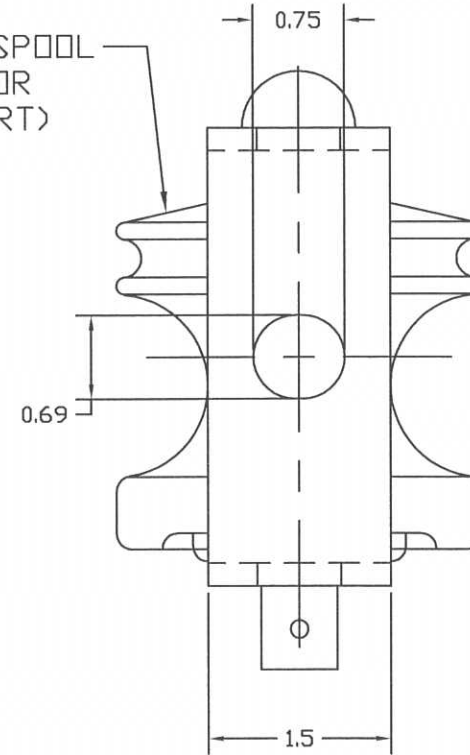
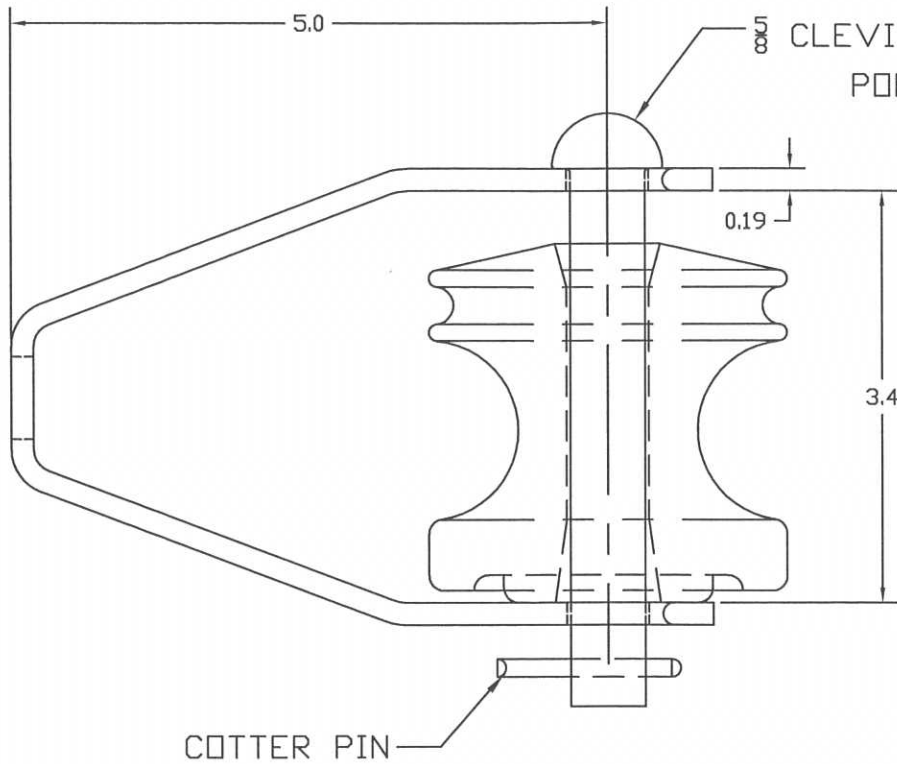



NOTES

1. MATERIAL: H. R. STEEL
2. FINISH: HOT DIP GALVANIZE PER ASTM A153 (LATEST REVISION).



CATALOG NO.	INSULATOR CLASS
C207-0015	53-3
C207-0014	53-2

CHANCE TOLERANCE CHART		 HUBBELL POWER SYSTEMS	
<small>CONFIDENTIAL: THIS DRAWING AND ITS CONTENTS ARE CONFIDENTIAL AND THE EXCLUSIVE PROPERTY OF HUBBELL POWER SYSTEMS. NO PUBLICATION, DISTRIBUTION OR COPIES MAY BE MADE WITHOUT THE WRITTEN CONSENT OF HUBBELL POWER SYSTEMS. HUBBELL POWER SYSTEMS UNPUBLISHED. ALL RIGHTS RESERVED UNDER THE COPYRIGHT LAWS.</small>		TITLE INSULATED CLEVIS	
SIZE SB SA207-0015	DWG NO. SA207-0015	CAT / PART / ASSY NO. SEE CHART	REV --
DO NOT SCALE THIS DRAWING	DRN BY WILSON	DATE 08/11/11	SHEET 1 OF 1