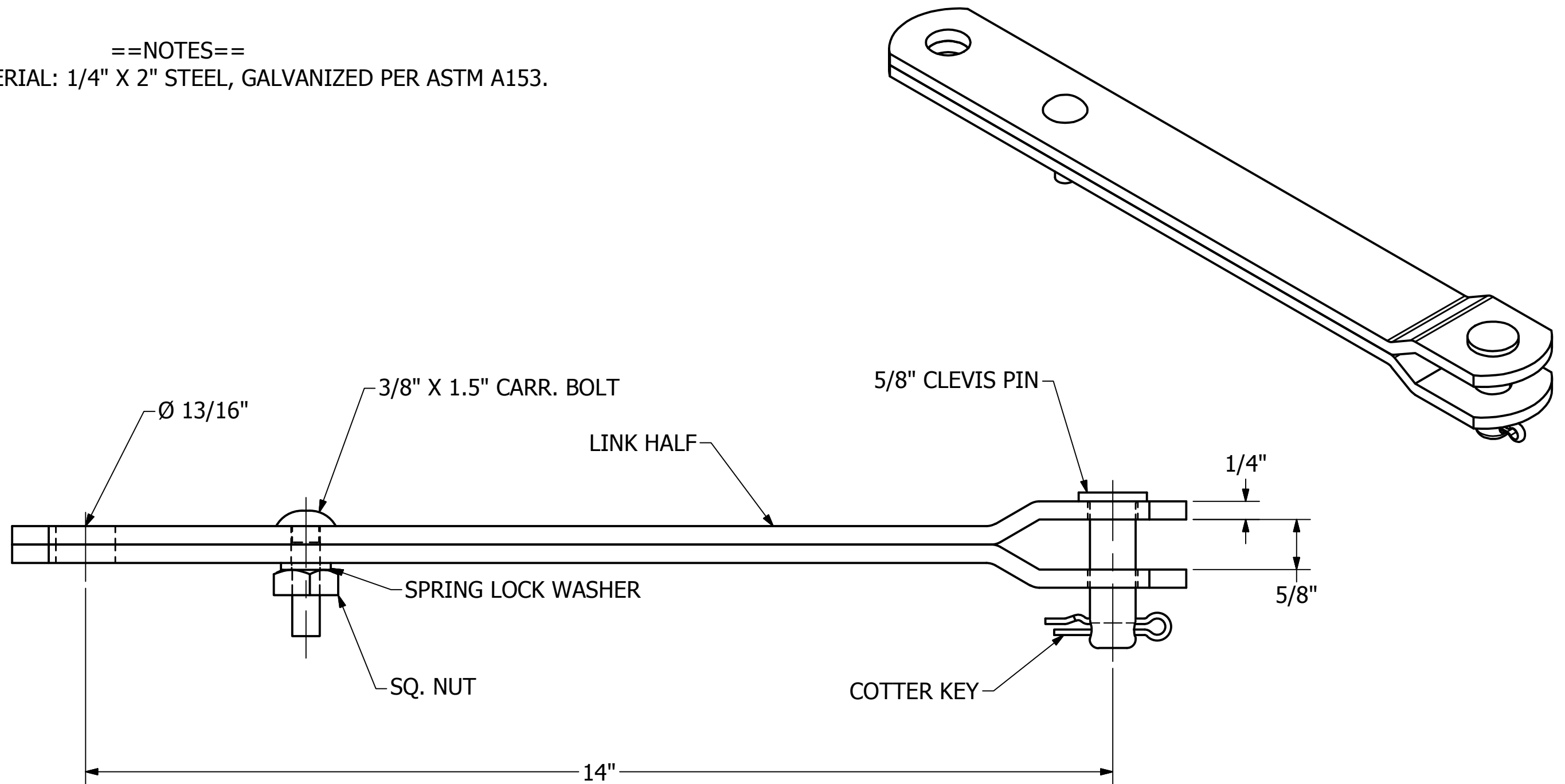



==NOTES==

1. MATERIAL: 1/4" X 2" STEEL, GALVANIZED PER ASTM A153.



CATALOG NUMBER: C2070112

| | | | |
|--|--|-----------------------------|-----------------|
| CHANCE [®] <small>CONFIDENTIAL: THIS DRAWING AND ITS CONTENTS ARE CONFIDENTIAL AND THE EXCLUSIVE PROPERTY OF HUBBELL POWER SYSTEMS. NO PUBLICATION, DISTRIBUTION, OR COPIES MAY BE MADE WITHOUT THE WRITTEN CONSENT OF HUBBELL POWER SYSTEMS. HUBBELL POWER SYSTEMS UNPUBLISHED ALL RIGHTS RESERVED UNDER THE COPYRIGHT LAWS.</small> |  HUBBELL POWER SYSTEMS, INC. | | |
| | TITLE 14" EXTENSION BRACKET | | |
| SIZE B | CAT / PART / ASSY NO. 2070112 | DWG NO. SA2070112 | REV A |
| DO NOT SCALE THIS DRAWING | DRN BY RNS | DATE 10/24/19 | SHEET 1 OF 1 |