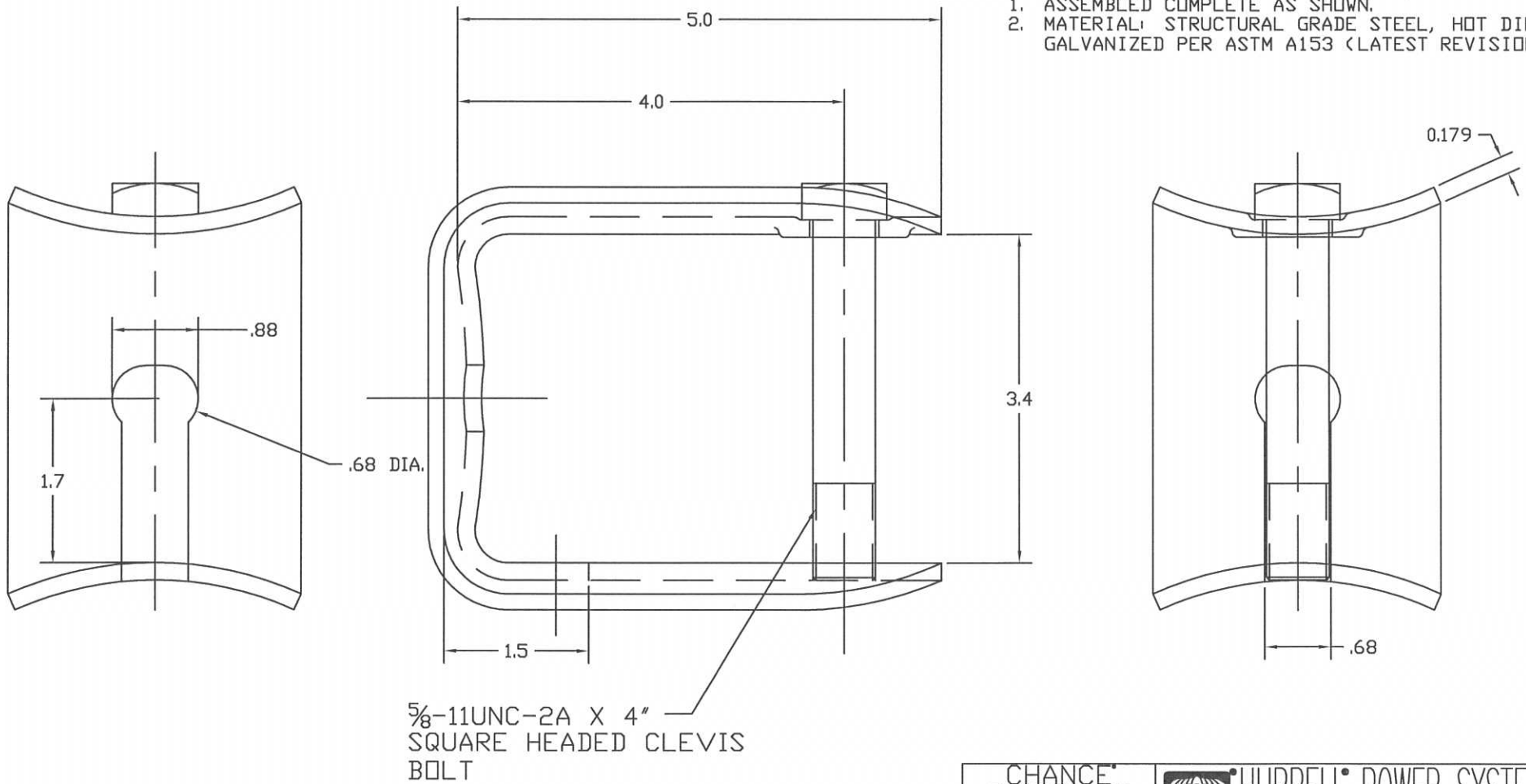



-NOTES-

1. ASSEMBLED COMPLETE AS SHOWN.
2. MATERIAL: STRUCTURAL GRADE STEEL, HOT DIP GALVANIZED PER ASTM A153 (LATEST REVISION).



CATALOG NUMBER: C2070116

CHANCE TOLERANCE CHART		 HUBBELL POWER SYSTEMS	
<small>CONFIDENTIAL: THIS DRAWING AND ITS CONTENTS ARE CONFIDENTIAL, AND THE EXCLUSIVE PROPERTY OF HUBBELL POWER SYSTEMS. NO PUBLICATION, DISTRIBUTION OR COPIES MAY BE MADE WITHOUT THE WRITTEN CONSENT OF HUBBELL POWER SYSTEMS. HUBBELL POWER SYSTEMS UNPUBLISHED ALL RIGHTS RESERVED UNDER THE COPYRIGHT LAWS.</small>		TITLE INSULATED CLEVIS	
SIZE	DWG NO.	CAT / PART / ASSY NO.	REV
SB	SA207-0116	C207-0116	A
DO NOT SCALE THIS DRAWING	DRN BY JJL	DATE 07/08/08	SHEET 01 OF 01