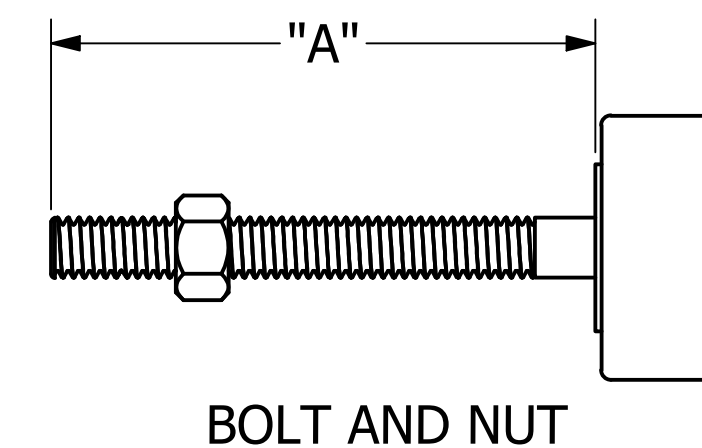
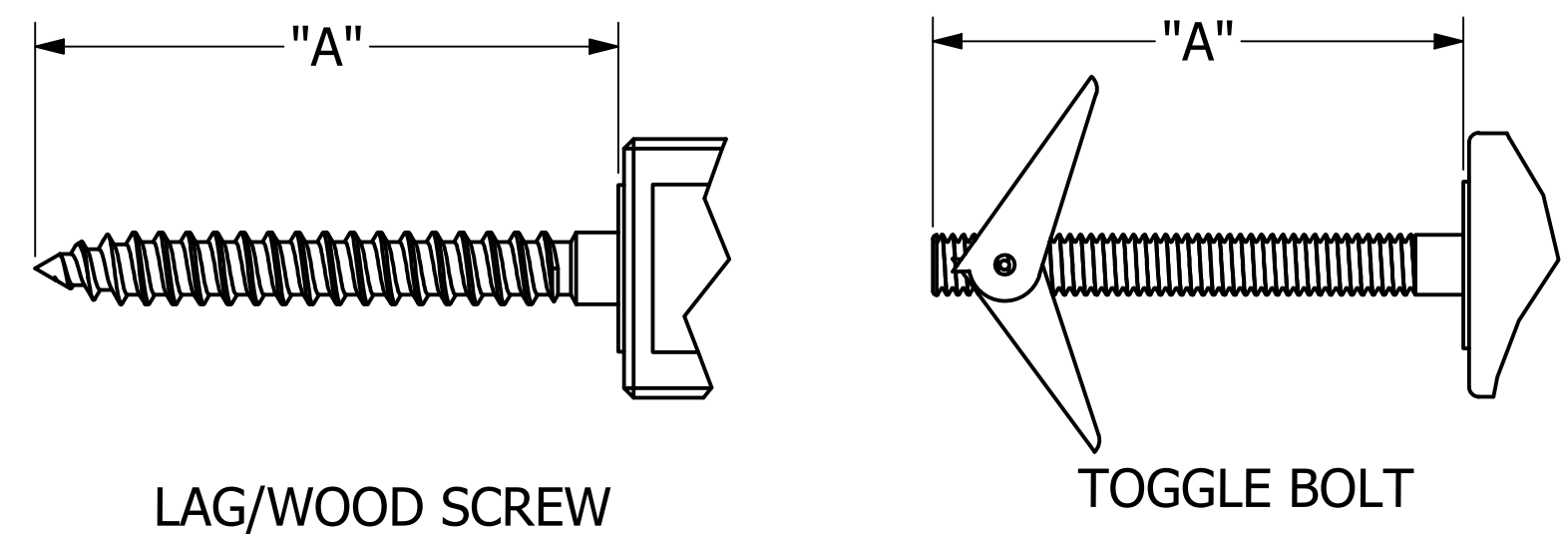


SCREW TYPES

BLACK CAT. NO. NOTE-1	GREY CAT. NO. NOTE-1	"A" (REF.)	SCREW TYPE
C2070138	C2070138G	2.5	3/8" WOOD SCREW
C2070138AL	-	2.5	3/8" WOOD SCREW
C2070139	C2070139G	3	3/8" WOOD SCREW
C2070139AL	C2071239GAL	3	3/8" WOOD SCREW
C2070140	C2070140G	4	3/8" WOOD SCREW
C2070141	-	4	5/16" TOGGLE BOLT
C207014114	-	14	5/16" TOGGLE BOLT
C2070141NUT	-	2	5/16" BOLT
PSC2070146	-	6	5/16" LAG SCREW



NOTES

- HEAD MATERIAL: BLACK OR GREY, UV STABILIZED, GLASS REINFORCED NYLON ALLOY.
- SCREW MATERIAL: STEEL, HOT DIP GALVANIZED PER ASTM A153 OR B695 CLASS 50.

THIS SYMBOL IDENTIFIES CRITICAL FEATURES

CHANCE® TOLERANCE CHART .X ± .060 FRAC ± 1/16 ANGLES ± 2° .XX ± .030 ADD DRAFT (UNLESS NOTED) .XXX ± .005 CASTINGS 3" FORGINGS 7"		HUBBELL POWER SYSTEMS, INC. POWER SYSTEMS, INC.	
CONFIDENTIAL: THIS DRAWING AND ITS CONTENTS ARE CONFIDENTIAL AND THE EXCLUSIVE PROPERTY OF HUBBELL POWER SYSTEMS. NO PUBLICATION, DISTRIBUTION, OR COPIES MAY BE MADE WITHOUT THE WRITTEN CONSENT OF HUBBELL POWER SYSTEMS. HUBBELL POWER SYSTEMS UNPUBLISHED ALL RIGHTS RESERVED UNDER THE COPYRIGHT LAWS.		TITLE NYLON WIREHOLDER	
SIZE C	CAT / PART / ASSY NO. SEE TABLE	DWG NO. SA2070138	REV E
DO NOT SCALE THIS DRAWING	DRN BY ACR	DATE 12/16/19	SHEET 1 OF 1