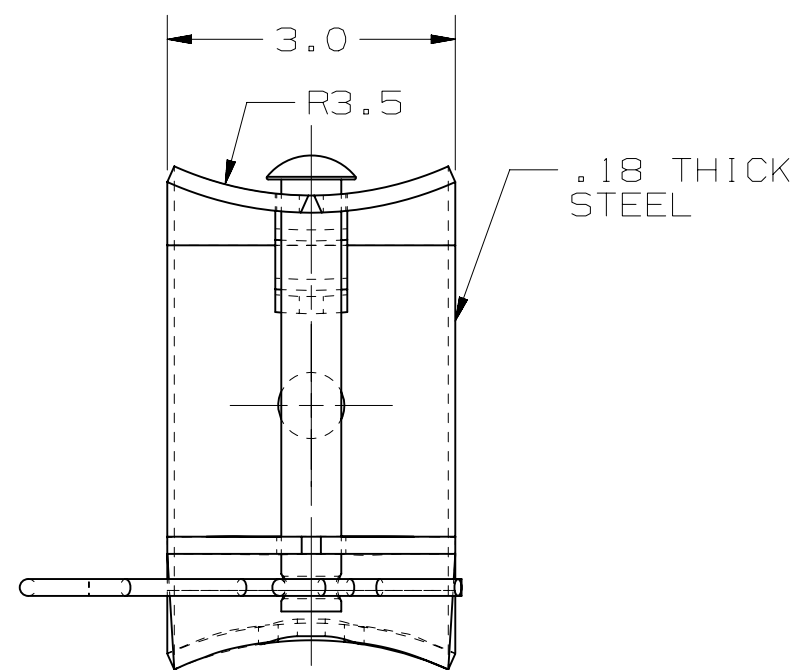
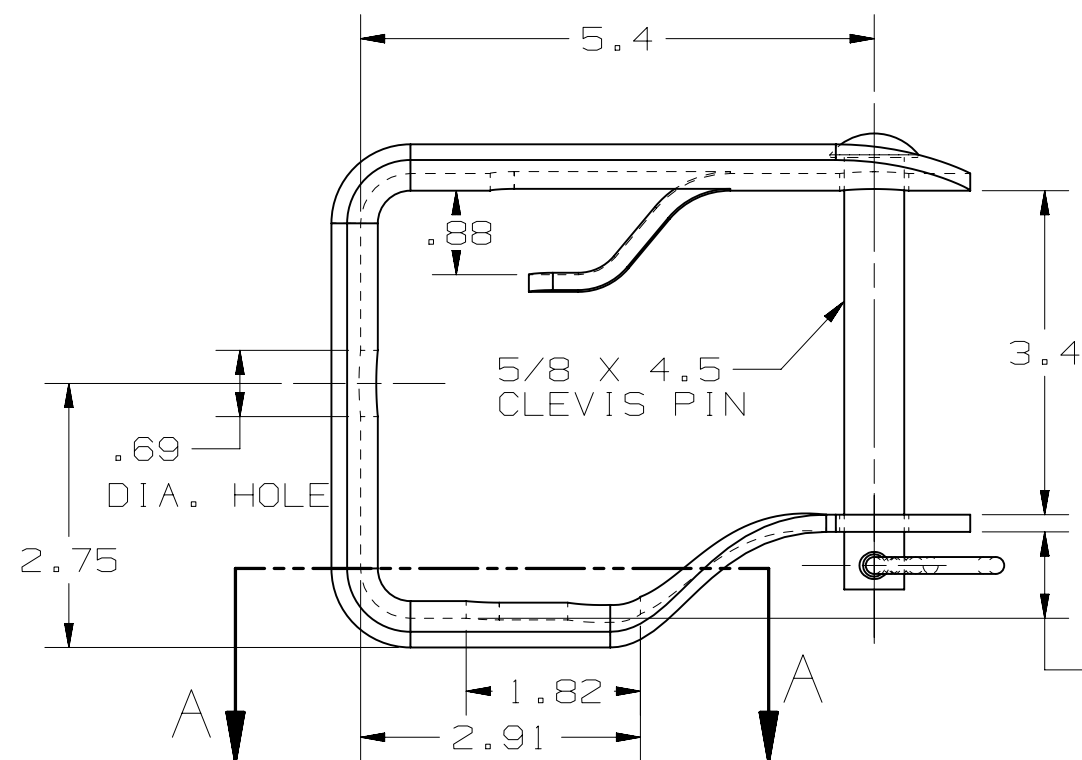
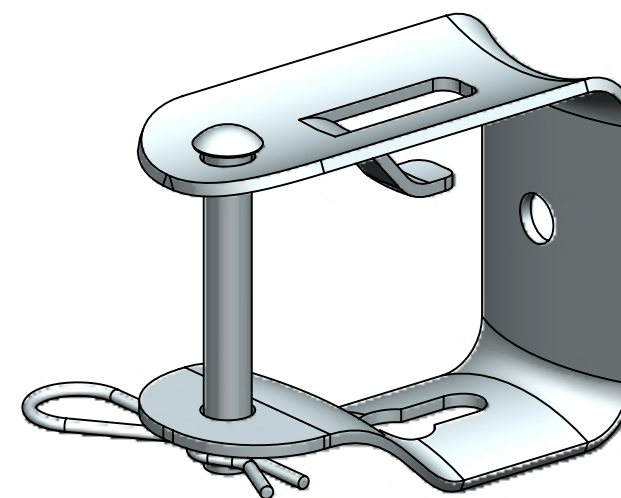
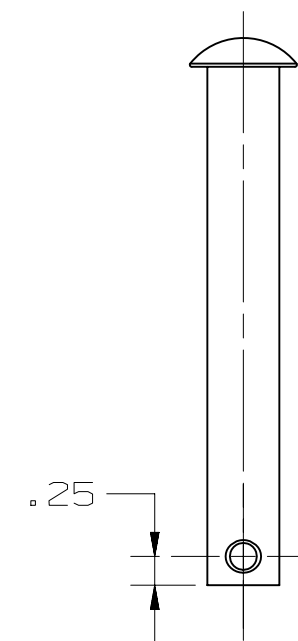


SECTION A - A



CLEVIS PIN



CATALOG NO. PSC2070177

NOTES

1. MATERIAL: STEEL
2. CLEVIS & BOLT FINISH: HOT DIP GALVANIZE. HAIRPIN FINISH: ZINCE PLATED

LATEST EC NO:		REV.	DATE	CHANGED BY	RESP ENGINEER
---		-	---	---	---
				DO NOT SCALE THIS DWG	THIRD ANGLE PROJECTION
				ISO DUAL DIMENSIONS IN=INCH, MM=MILLIMETER	
DRN BY:	DATE	TITLE:			SIZE
WILSON	04/10/15	INSULATOR CLEVIS			B
					DWG NO: SA2070177

CONFIDENTIAL: THIS DRAWING AND ITS CONTENTS ARE CONFIDENTIAL AND THE EXCLUSIVE PROPERTY OF HUBBELL POWER SYSTEMS, INC. NO PUBLICATION, DISTRIBUTION OR COPIES MAY BE MADE WITHOUT WRITTEN CONSENT BY HUBBELL POWER SYSTEMS, INC. © 2012 HUBBELL POWER SYSTEMS. UNPUBLISHED, ALL RIGHTS RESERVED UNDER THE COPYRIGHT LAWS