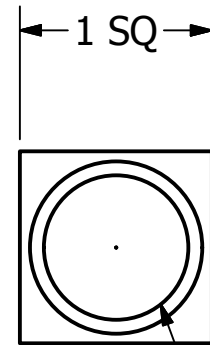
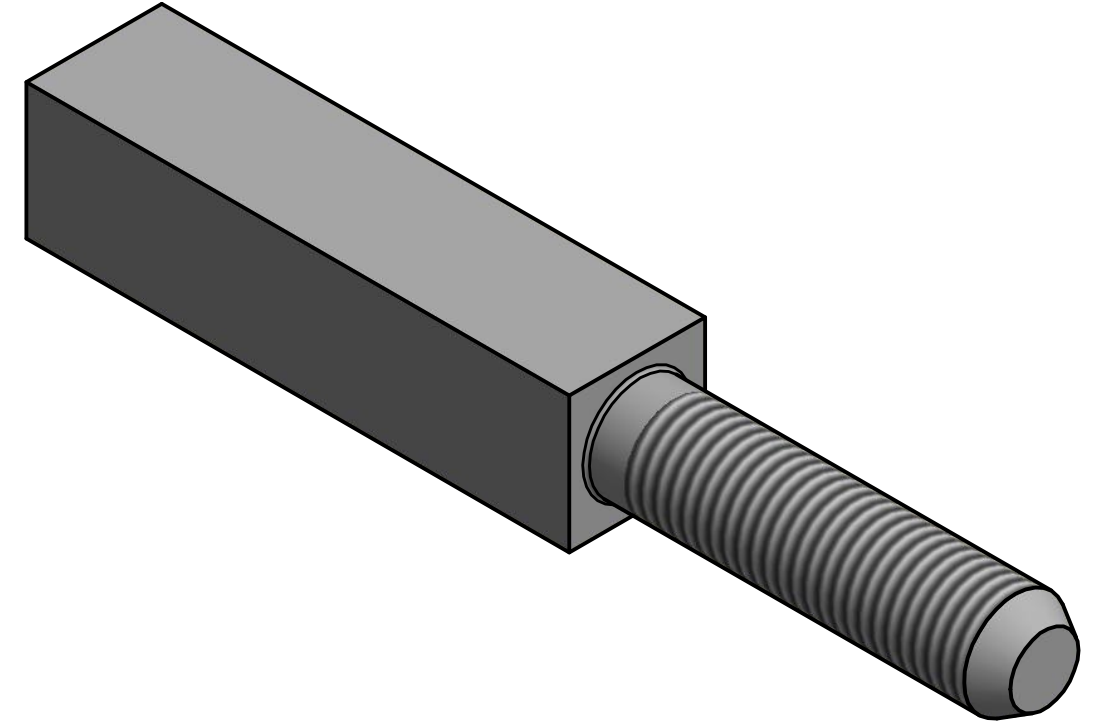


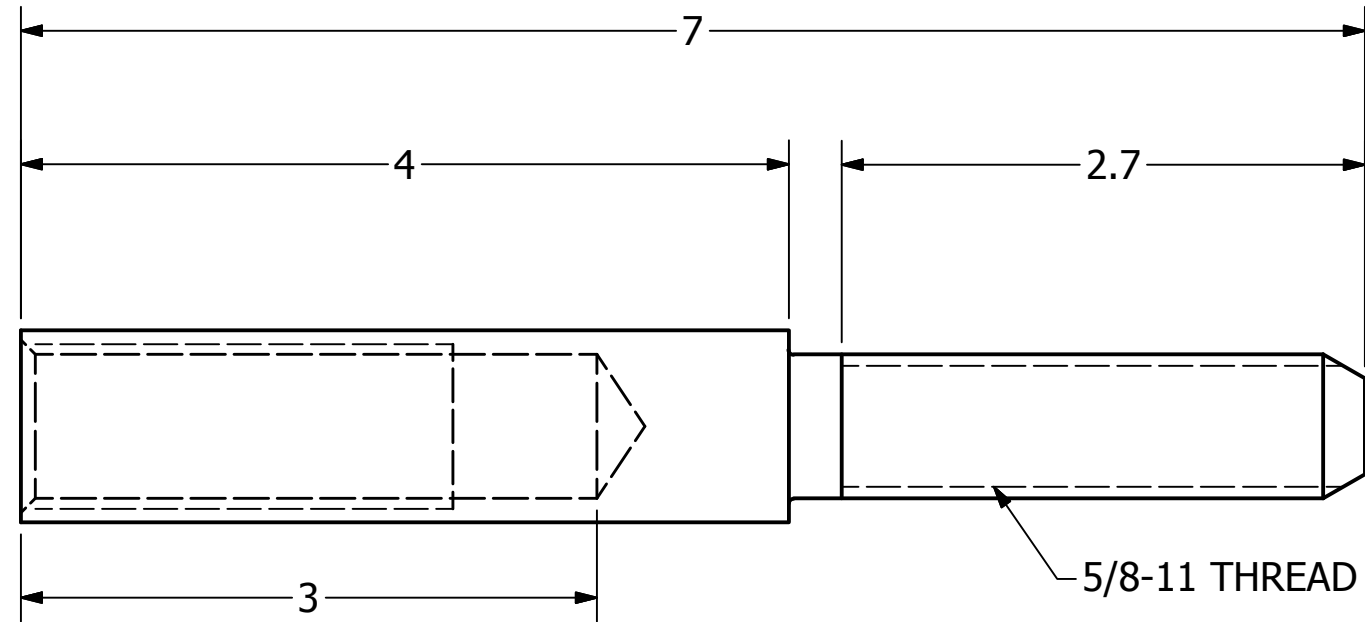
-NOTES-

1. CREATES A SECOND CABLE RUN AT THE SAME LEVEL ON THE SAME SIDE OF THE POLE AS EXISTING CABLE RUN.
2. USED IN CONJUNCTION WITH REINFORCING BRACE (P/N PSC2080241). REINFORCING STRAP (P/N 7905) CAN BE USED FOR ADDITIONAL REINFORCEMENT ON THE FIRST SUSPENSION CLAMP.
3. STEEL, GALVANIZED PER ASTM A153.
4. MEETS BELLCORE 627-0005



1 SQ

5/8-11 THREAD



CATALOG NO.: PSC2080292

| | | | | |
|---|--------------------------------------|--|-----------------------------|--------------|
| CHANCE [®] | HUBBELL POWER SYSTEMS, INC. | | | |
| | TITLE CABLE EXTENSION BOLT | | | |
| CONFIDENTIAL: THIS DRAWING AND ITS CONTENTS ARE CONFIDENTIAL AND THE EXCLUSIVE PROPERTY OF HUBBELL POWER SYSTEMS. NO PUBLICATION, DISTRIBUTION, OR COPIES MAY BE MADE WITHOUT THE WRITTEN CONSENT OF HUBBELL POWER SYSTEMS. HUBBELL POWER SYSTEMS UNPUBLISHED ALL RIGHTS RESERVED UNDER THE COPYRIGHT LAWS. | SIZE B | CAT / PART / ASSY NO. PSC2080292 | DWG NO. SA2080292 | REV - |
| | DO NOT SCALE THIS DRAWING | DRN BY MTH | DATE 9/16/16 | SHEET 1 OF 1 |