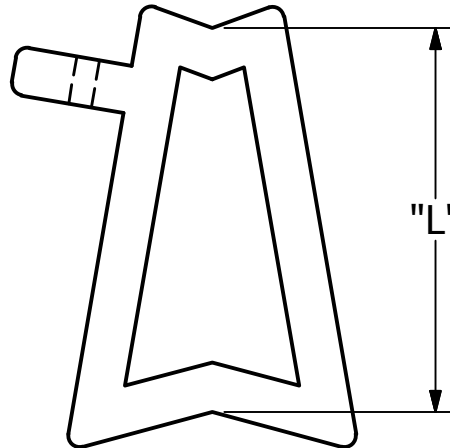
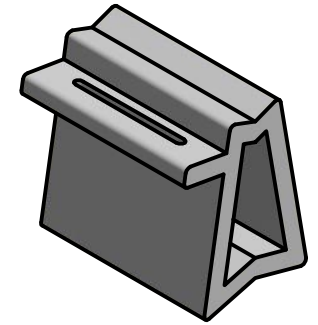


| HPS CATALOG NUMBER | "L" |
|--------------------|------|
| PSC2080420 | 0.25 |
| PSC2080421 | 0.50 |
| PSC2080422 | 0.75 |
| PSC2080423 | 1.00 |
| PSC2080424 | 1.50 |
| PSC2080425 | 2.00 |



- NOTES -
1. MATERIAL: PLASTIC

CHANCE[®]



HUBBELL POWER SYSTEMS, Inc.

CONFIDENTIAL: THIS DRAWING AND ITS CONTENTS ARE CONFIDENTIAL AND THE EXCLUSIVE PROPERTY OF HUBBELL POWER SYSTEMS. NO PUBLICATION, DISTRIBUTION OR COPIES MAY BE MADE WITHOUT THE WRITTEN CONSENT OF HUBBELL POWER SYSTEMS. HUBBELL POWER SYSTEMS UNPUBLISHED ALL RIGHTS RESERVED UNDER THE COPYRIGHT LAWS.

TITLE

BELL CABLE SPACER

| | | | |
|---------------------------|-------------------------------------------|-----------------------------|--------------|
| SIZE A | CAT / PART / ASSY NO. SEE CHART | DWG NO. SA2080420 | REV - |
| DO NOT SCALE THIS DRAWING | DRN BY BCT | DATE 04/13/16 | SHEET 1 OF 1 |