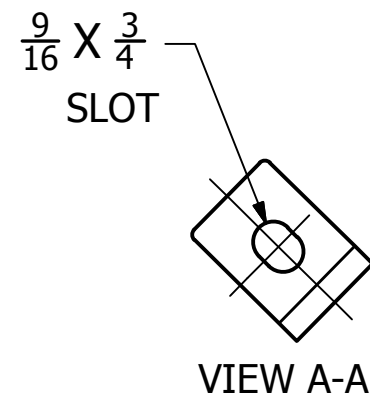
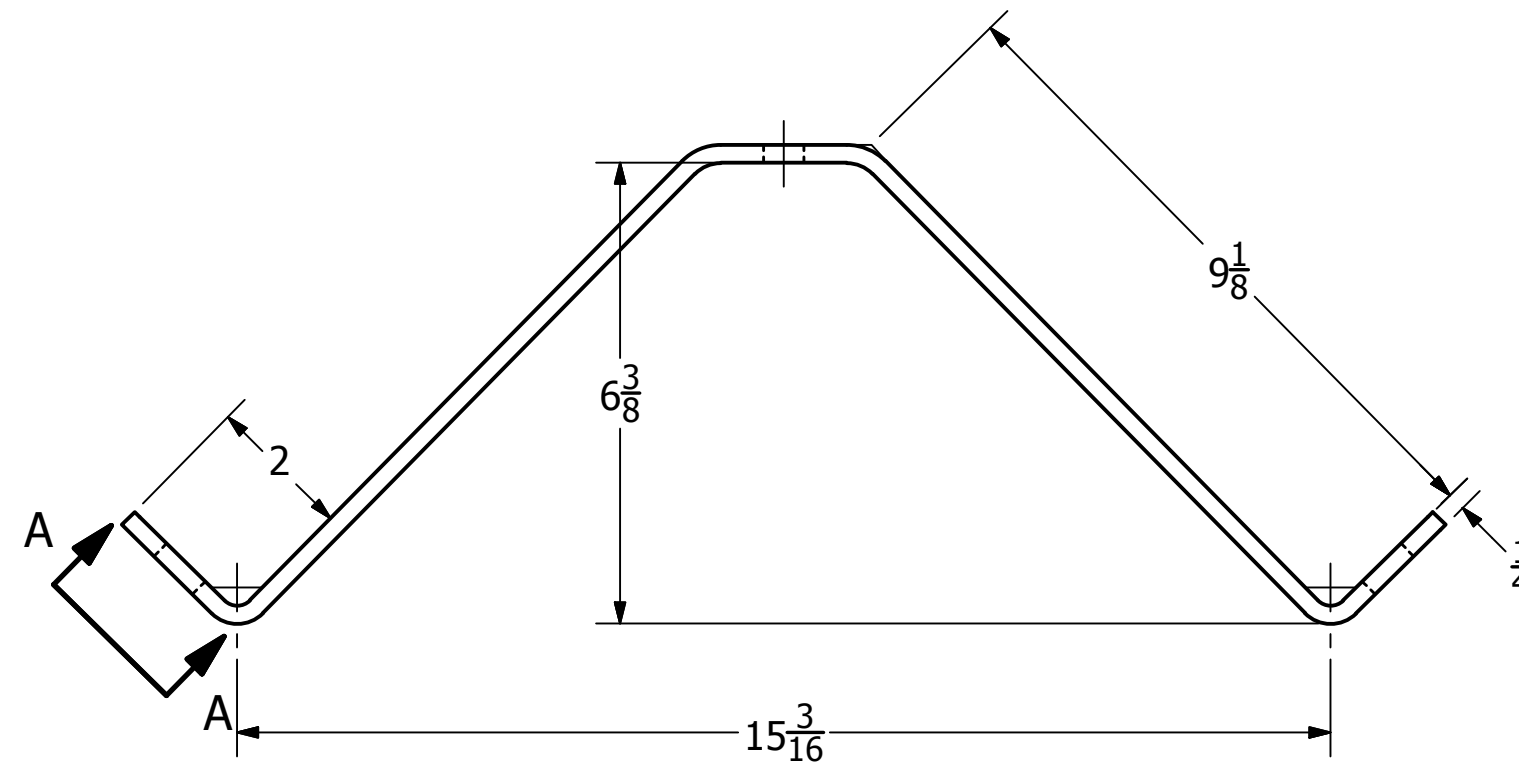
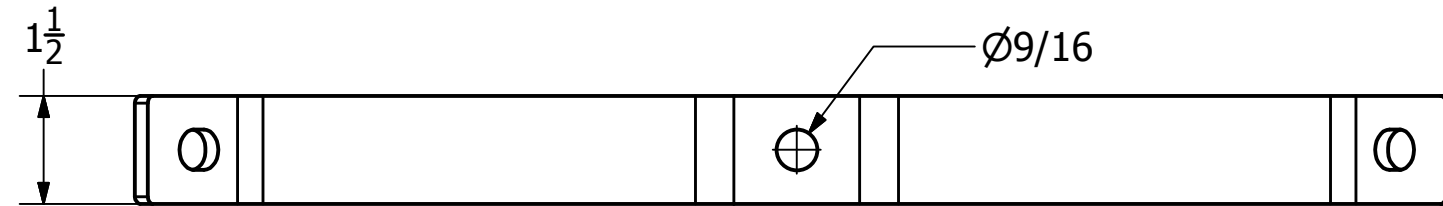
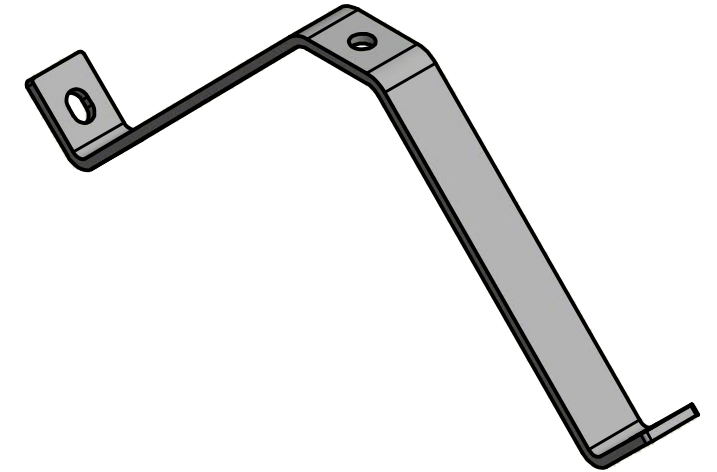


**-NOTES-**

1. USE TO MOUNT CABLE RACKS TO WALLS AND OTHER STRUCTURES.
2. BELL OPERATING SPECIFICATION CAO8557.
3. STEEL, HOT DIP GALVANIZE PER ASTM A153.



**CATALOG NO.: PSC2080531**

<b>CHANCE</b> ®		<b>HUBBELL</b> ® POWER SYSTEMS, INC.		<b>HUBBELL POWER SYSTEMS, INC.</b>	
CONFIDENTIAL: THIS DRAWING AND ITS CONTENTS ARE CONFIDENTIAL AND THE EXCLUSIVE PROPERTY OF HUBBELL POWER SYSTEMS. NO PUBLICATION, DISTRIBUTION, OR COPIES MAY BE MADE WITHOUT THE WRITTEN CONSENT OF HUBBELL POWER SYSTEMS. HUBBELL POWER SYSTEMS UNPUBLISHED ALL RIGHTS RESERVED UNDER THE COPYRIGHT LAWS.		TITLE <b>B-CABLE RACK SUPPORT</b>			
SIZE <b>B</b>	CAT / PART / ASSY NO. <b>PSC2080531</b>	DWG NO. <b>SA2080531</b>	REV <b>A</b>		
DO NOT SCALE THIS DRAWING	DRN BY QMA	DATE 10/12/17	SHEET 1 OF 1		