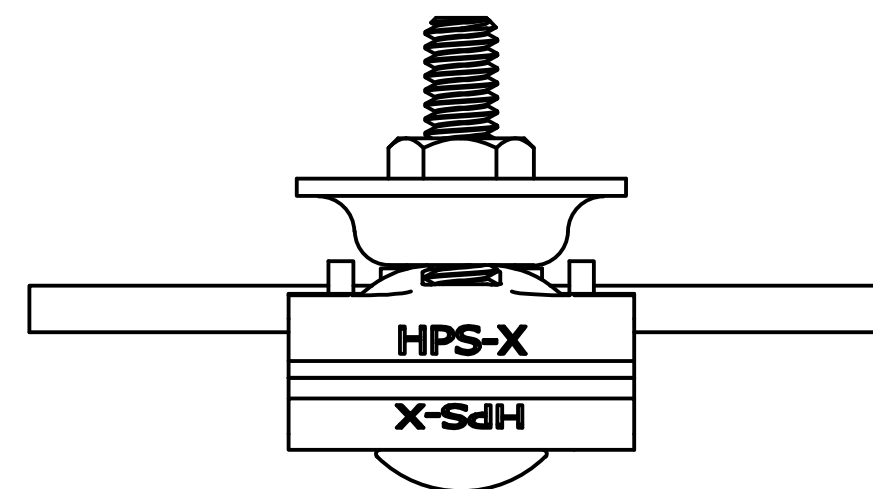
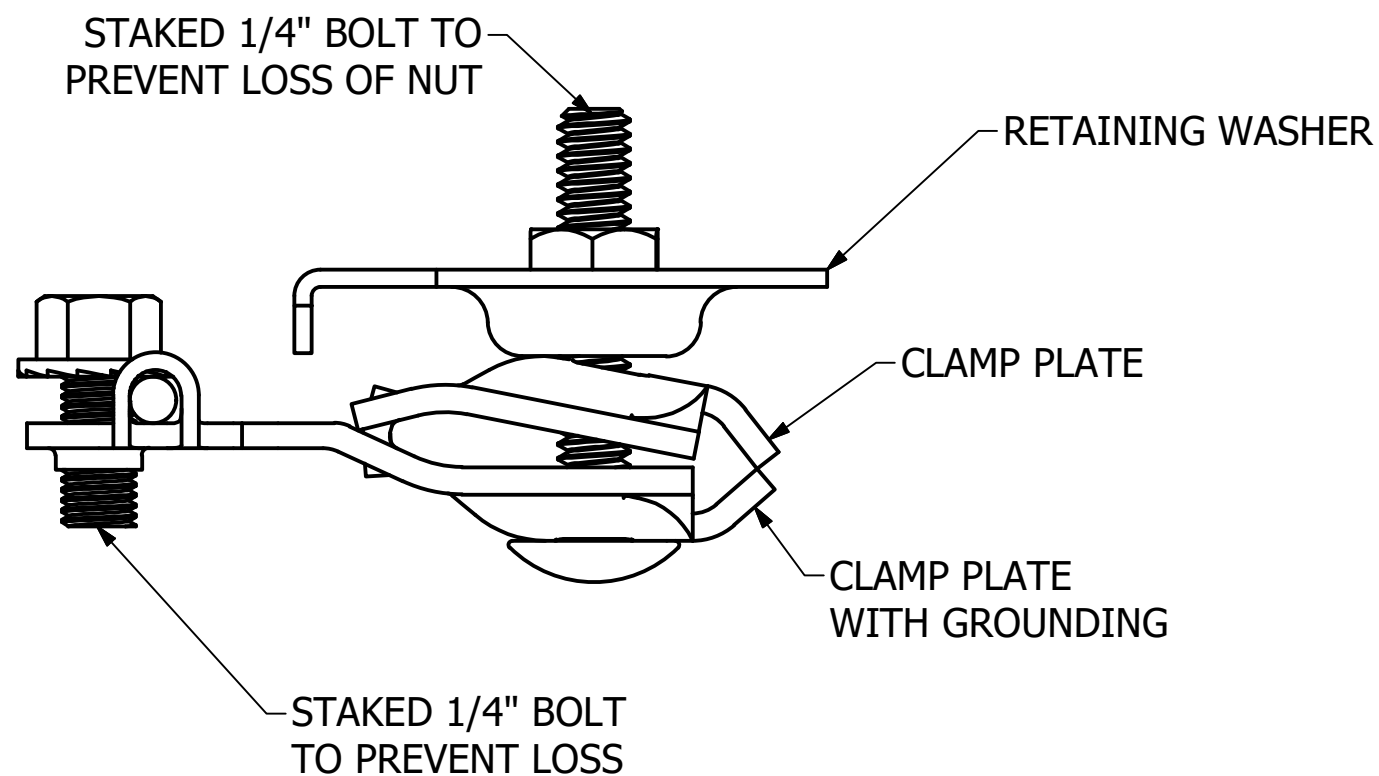
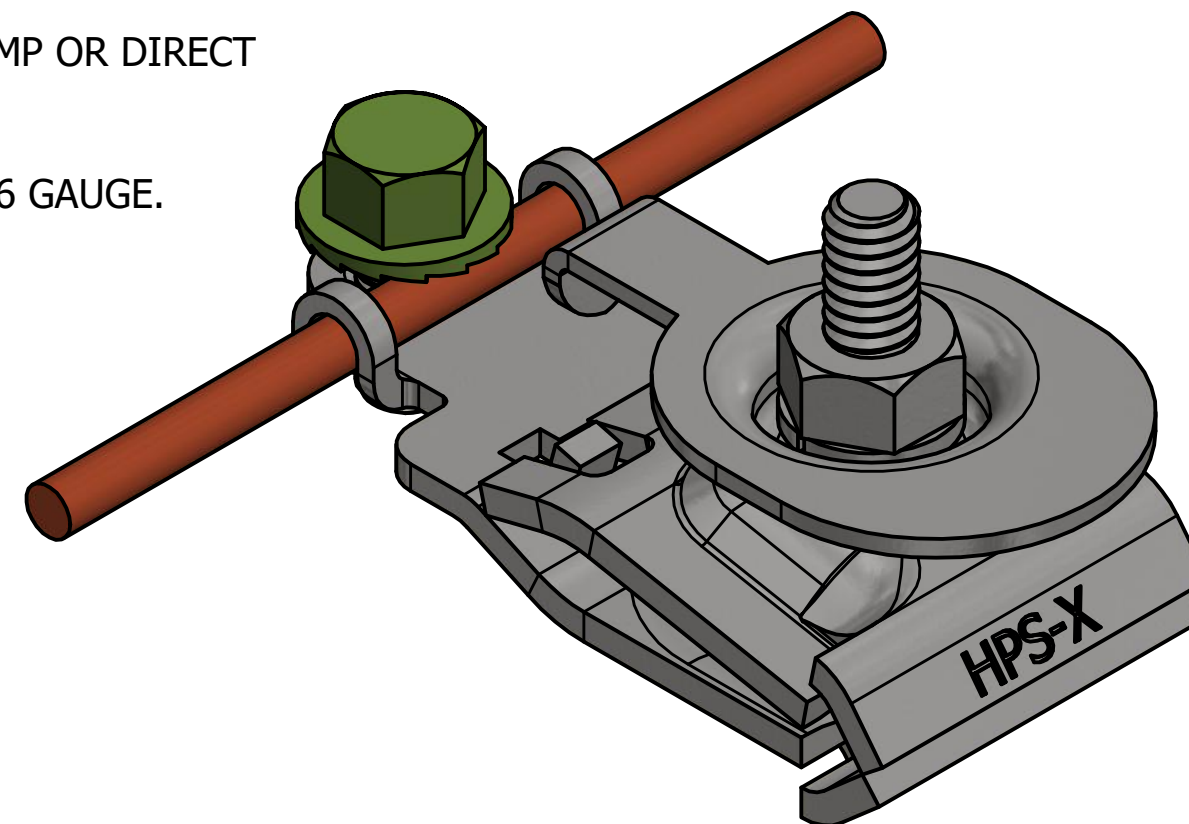


- NOTES-
1. MATERIAL: GALVANIZED STEEL.
 2. ATTACH DROP WIRE USING DROP CLAMP OR DIRECT ATTACHMENT.
 3. ACCEPTS STRAND SIZE OF 1/4".
 4. ACCEPTS GROUND WIRE SIZES UP TO 6 GAUGE.



CATALOG NUMBER: PSC2080572

CHANCE [®]	HUBBELL [®] HUBBELL POWER SYSTEMS, INC. POWER SYSTEMS, INC.			
	TITLE MULTI DROP SPAN CLAMP WITH GROUNDING			
CONFIDENTIAL: THIS DRAWING AND ITS CONTENTS ARE CONFIDENTIAL AND THE EXCLUSIVE PROPERTY OF HUBBELL POWER SYSTEMS. NO PUBLICATION, DISTRIBUTION, OR COPIES MAY BE MADE WITHOUT THE WRITTEN CONSENT OF HUBBELL POWER SYSTEMS. HUBBELL POWER SYSTEMS UNPUBLISHED ALL RIGHTS RESERVED UNDER THE COPYRIGHT LAWS.	SIZE B	CAT / PART / ASSY NO. PSC2080572	DWG NO. SA2080572	REV A
DO NOT SCALE THIS DRAWING	DRN BY HOEK	DATE 2/15/19	SHEET 1 OF 1	