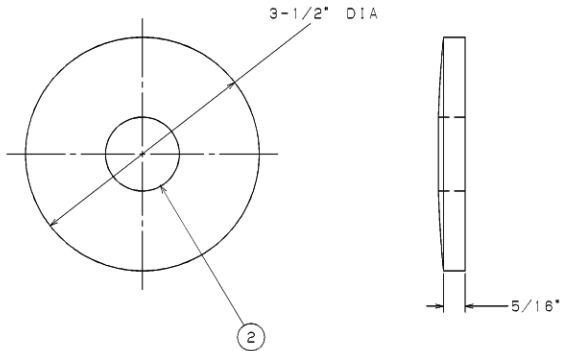


=NOTES=

1. MAT'L: FIBER REINFORCED THERMOSETTING PLASTIC.
2. FOR 3/4" CORROSION RESISTANT ROD.



LATEST EC NO:		REV.	DATE	CHANGED BY	RESP ENGINEER
90182103		-	-----	---	ODOM
				DO NOT SCALE THIS DWG	THIRD ANGLE PROJECTION
				1:50 DUAL DIMENSIONS IN=1INCH, MM=MILLIMETER	
DRN BY:	DATE:	TITLE:			SIZE:
KOEHLER	08-28-91	WASHER, 3/4"			B
				DWG NO:	SA210-0033

CONFIDENTIAL: THIS DRAWING AND ITS CONTENTS ARE CONFIDENTIAL AND THE EXCLUSIVE PROPERTY OF HUBBELL POWER SYSTEMS, INC. NO REPRODUCTION, DISTRIBUTION, OR DISSEMINATION OF THIS DRAWING OR ITS CONTENTS IS PERMITTED WITHOUT WRITTEN CONSENT BY HUBBELL POWER SYSTEMS, INC. OR HUBBELL/A. B. CHANCE COMPANY. © 2000 HUBBELL/A. B. CHANCE. UNPUBLISHED - ALL RIGHTS RESERVED UNDER THE COPYRIGHT LAWS