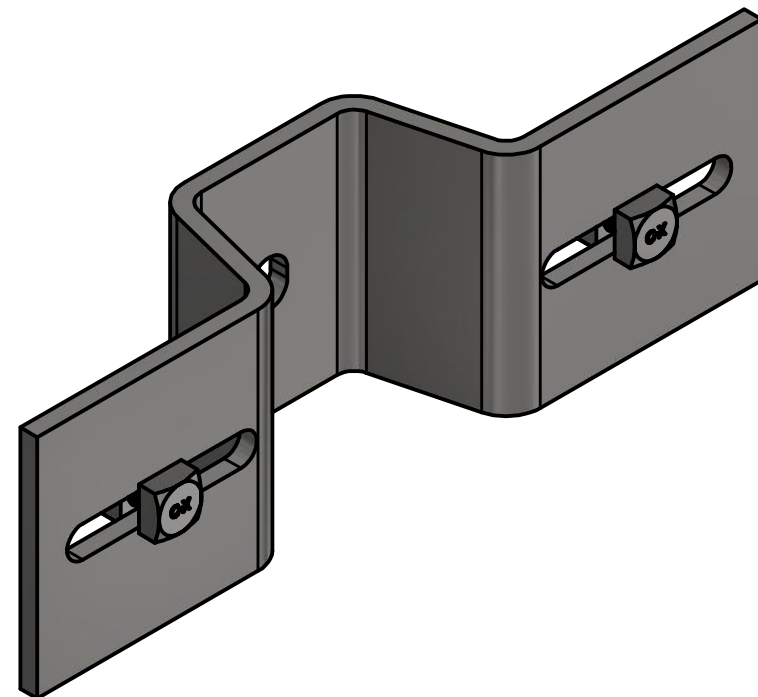
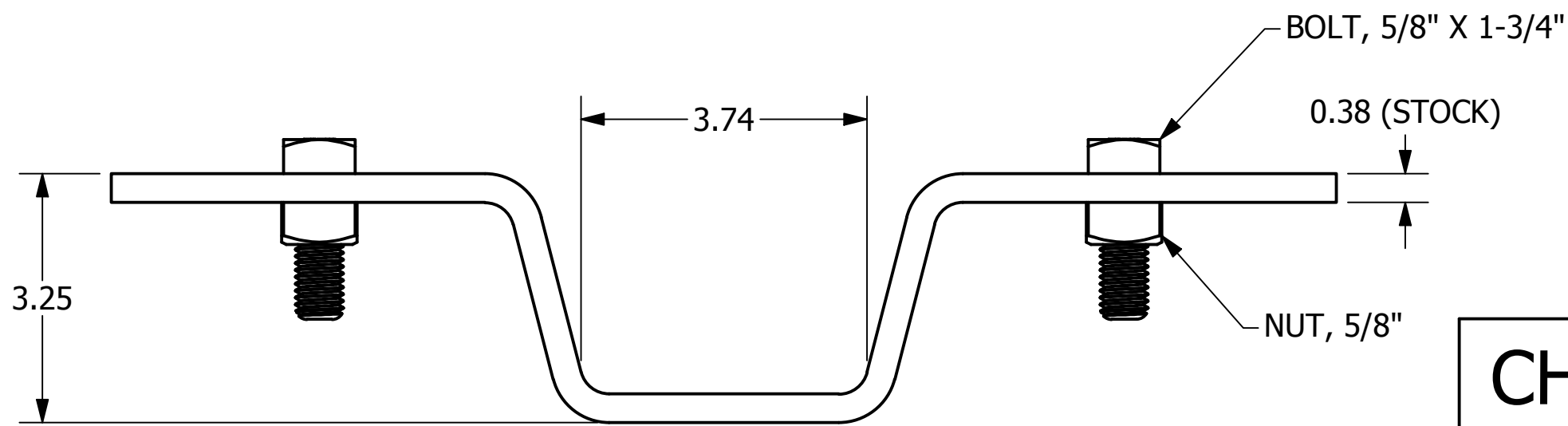
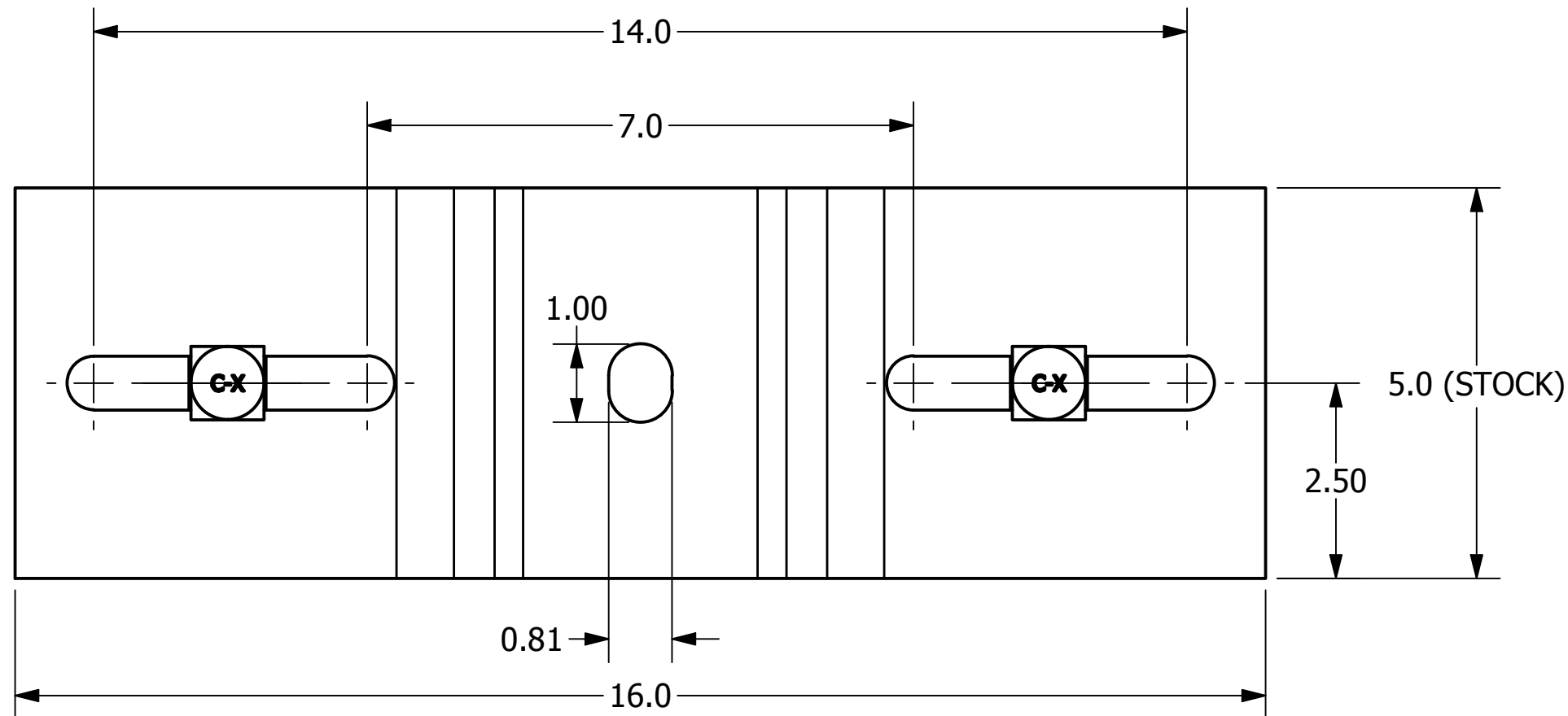


==NOTES==

1. MATERIAL: STEEL.
2. ASSEMBLED AS SHOWN.
3. FINISH: HOT DIP GALVANIZE PER ASTM A153.



CATALOG NUMBER:
C2110015



CHANCE ®		HUBBELL ® POWER SYSTEMS, INC.		HUBBELL POWER SYSTEMS, INC.	
CONFIDENTIAL: THIS DRAWING AND ITS CONTENTS ARE CONFIDENTIAL AND THE EXCLUSIVE PROPERTY OF HUBBELL POWER SYSTEMS. NO PUBLICATION, DISTRIBUTION, OR COPIES MAY BE MADE WITHOUT THE WRITTEN CONSENT OF HUBBELL POWER SYSTEMS. HUBBELL POWER SYSTEMS UNPUBLISHED ALL RIGHTS RESERVED UNDER THE COPYRIGHT LAWS.		TITLE ADAPTER BRACKET			
SIZE B	CAT / PART / ASSY NO. C2110015	DWG NO. SA2110015	REV A		
DO NOT SCALE THIS DRAWING	DRN BY RNS	DATE 12/31/19	SHEET 1 OF 1		