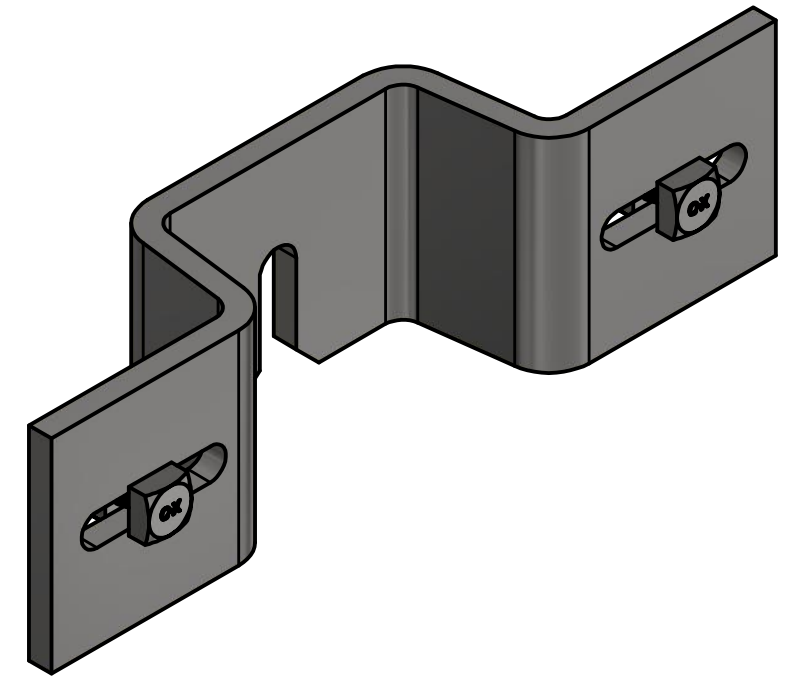
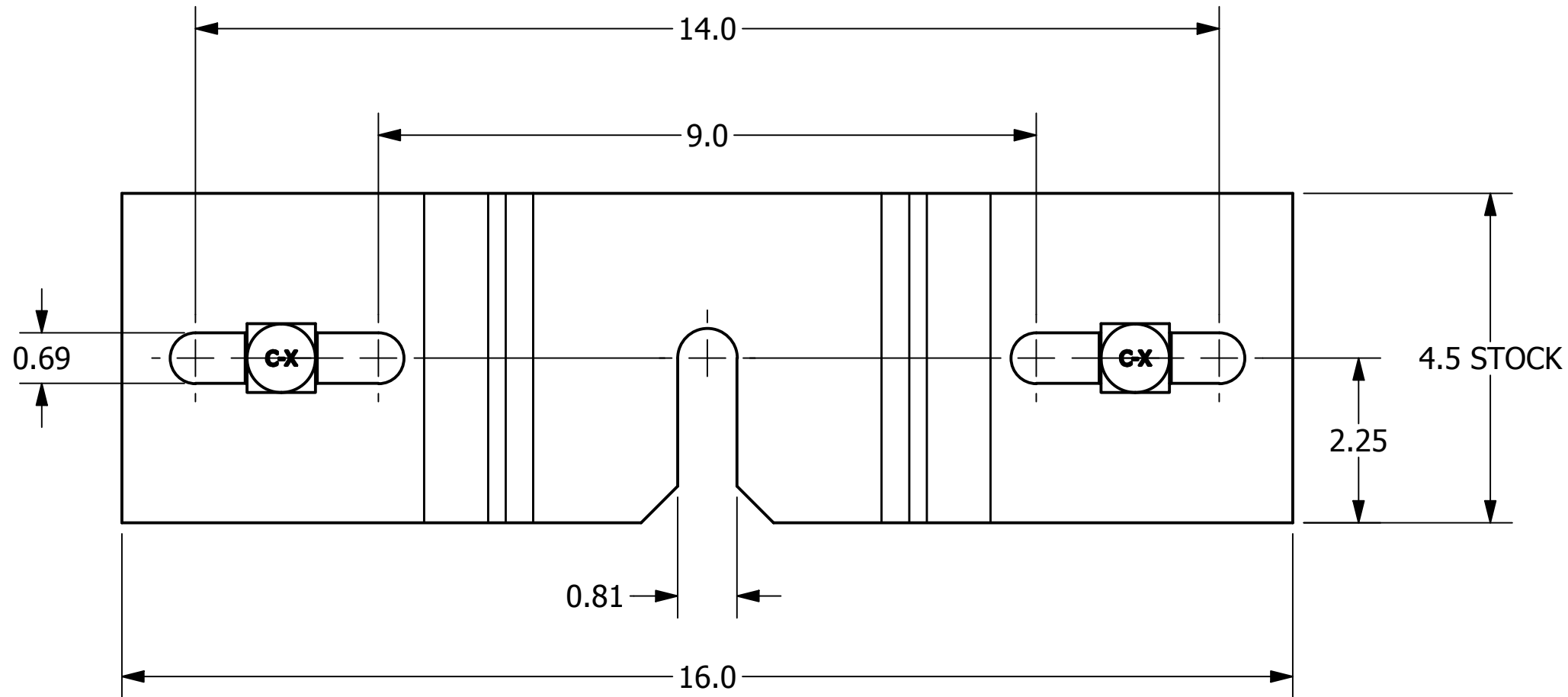
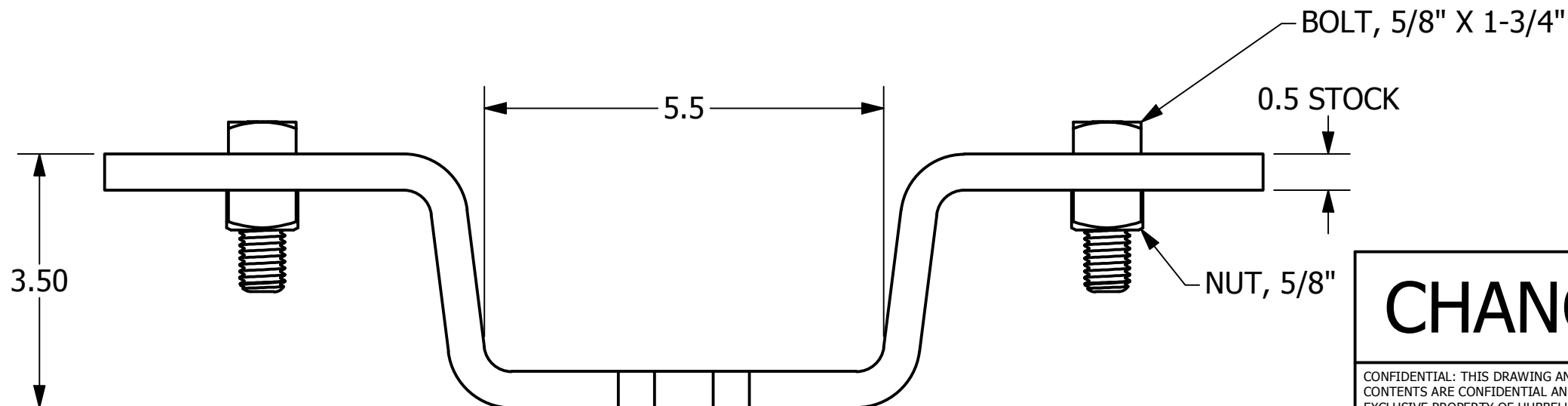


==NOTES==

1. MATERIAL: STEEL.
2. ASSEMBLED AS SHOWN.
3. FINISH: HOT DIP GALVANIZED PER ASTM A153.



**CATALOG NUMBER:**  
**C2110016**



<b>CHANCE</b> <sup>®</sup>		<b>HUBBELL</b> <sup>®</sup> HUBBELL POWER SYSTEMS, INC.	
CONFIDENTIAL: THIS DRAWING AND ITS CONTENTS ARE CONFIDENTIAL AND THE EXCLUSIVE PROPERTY OF HUBBELL POWER SYSTEMS. NO PUBLICATION, DISTRIBUTION, OR COPIES MAY BE MADE WITHOUT THE WRITTEN CONSENT OF HUBBELL POWER SYSTEMS. HUBBELL POWER SYSTEMS UNPUBLISHED ALL RIGHTS RESERVED UNDER THE COPYRIGHT LAWS.		TITLE <b>ADAPTER BRACKET</b>	
SIZE <b>B</b>	CAT / PART / ASSY NO. <b>C2110016</b>	DWG NO. <b>SA2110016</b>	REV <b>C</b>
DO NOT SCALE THIS DRAWING	DRN BY RNS	DATE 12/31/19	SHEET 1 OF 1