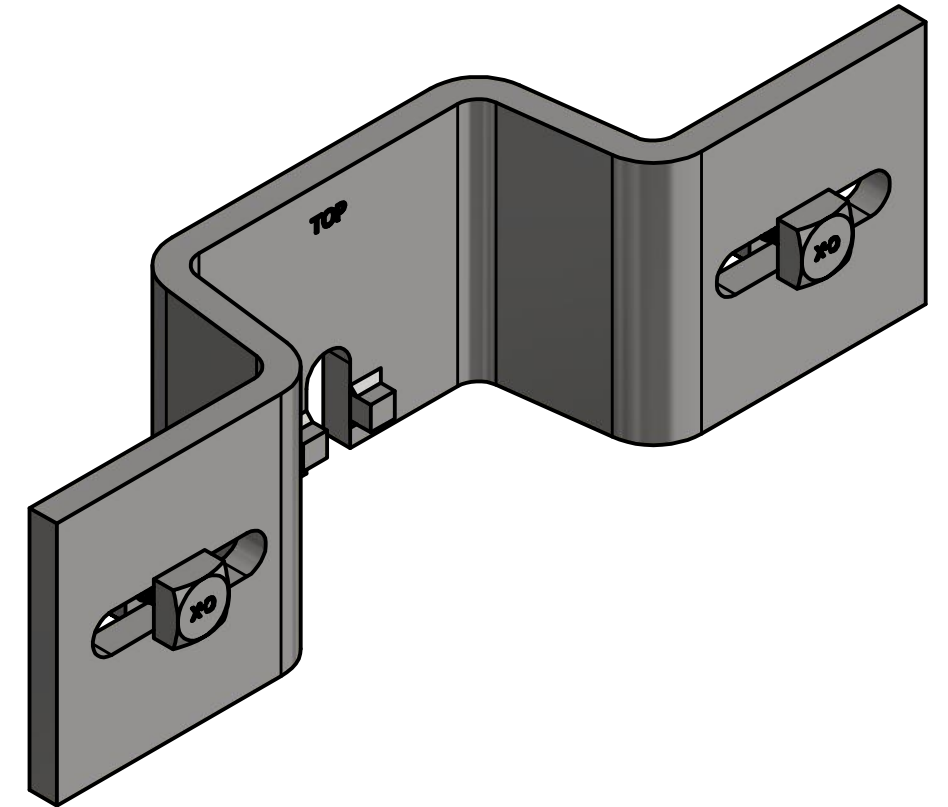
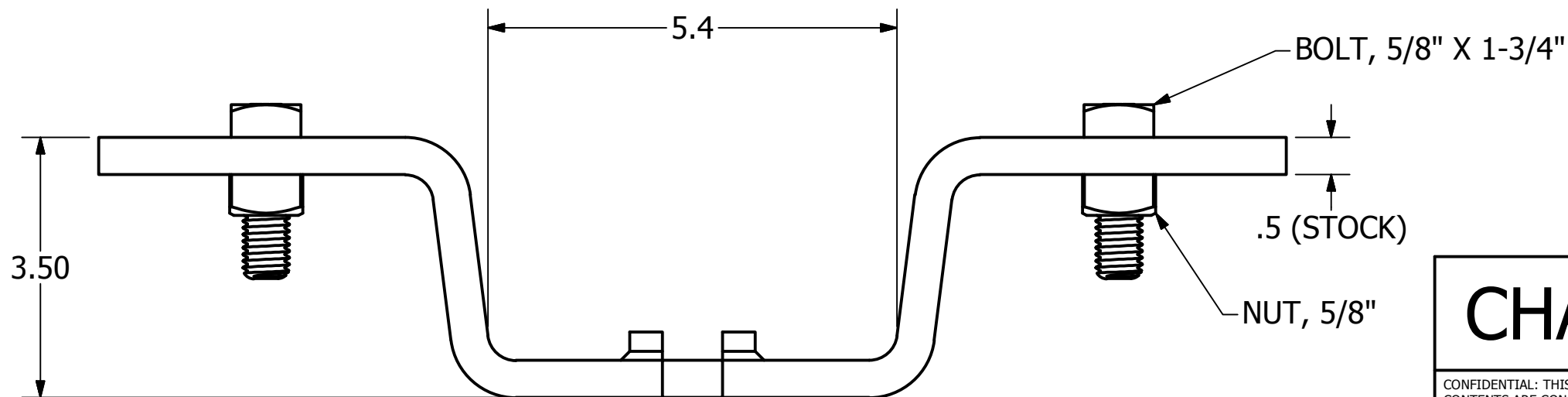
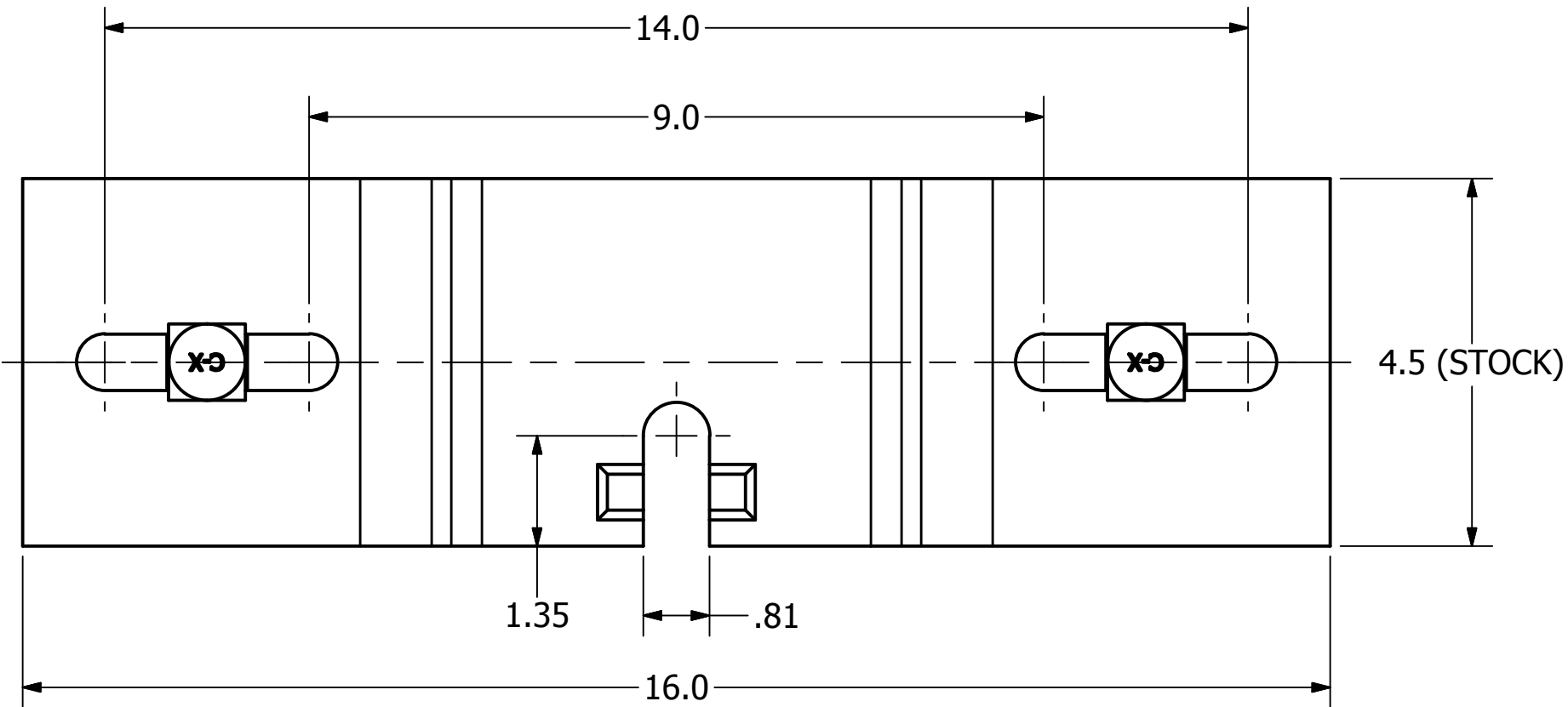


=NOTES=

1. MATERIAL: STEEL.
2. ASSEMBLED AS SHOWN.
3. FINISH: HOT DIP GALVANIZED PER ASTM A153.



CATALOG NUMBER:
C2110017



CHANCE ®		HUBBELL ® POWER SYSTEMS, INC.	
CONFIDENTIAL: THIS DRAWING AND ITS CONTENTS ARE CONFIDENTIAL AND THE EXCLUSIVE PROPERTY OF HUBBELL POWER SYSTEMS. NO PUBLICATION, DISTRIBUTION, OR COPIES MAY BE MADE WITHOUT THE WRITTEN CONSENT OF HUBBELL POWER SYSTEMS. HUBBELL POWER SYSTEMS UNPUBLISHED ALL RIGHTS RESERVED UNDER THE COPYRIGHT LAWS.		TITLE ADAPTER PLATE	
SIZE B	CAT / PART / ASSY NO. C2110017	DWG NO. SA2110017	REV D
DO NOT SCALE THIS DRAWING	DRN BY TLB	DATE 3/13/19	SHEET 1 OF 1