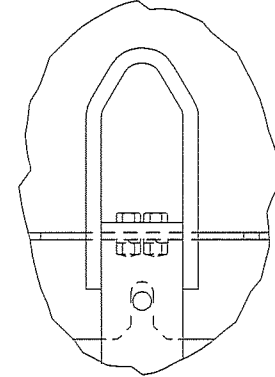
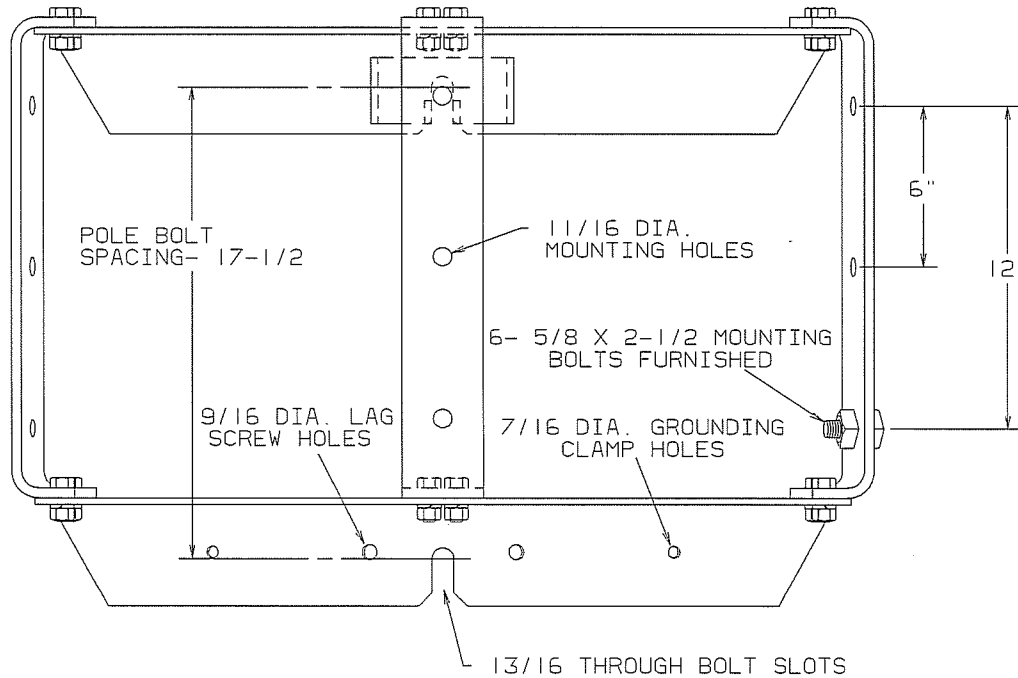
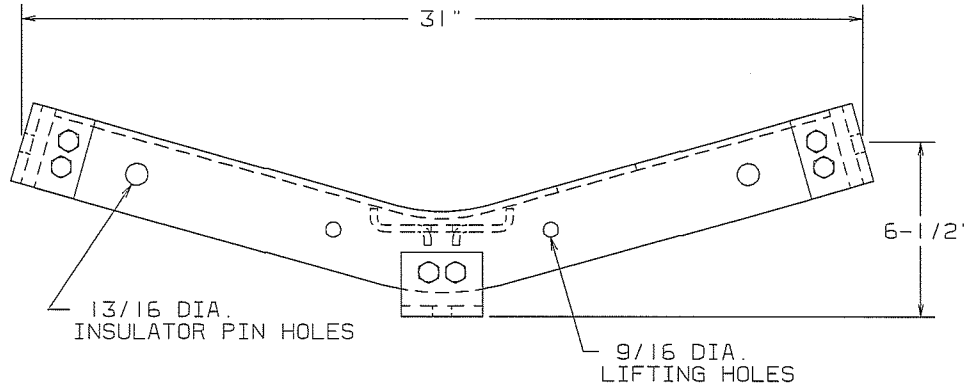


-NOTES-

1. ALL STEEL CONSTRUCTION
2. HOT DIP GALVANIZED PER ASTM A-153-(LATEST REVISION).
3. ORDER 1/2" EYENUT, CAT. NO. 6500, AND 1/2" MACH. BOLTS FOR USE WITH LIFTING HOLES.
4. FOR GROUNDING PURPOSES, ORDER GROUND CLAMP CAT. NO. C212-0140.
5. DESIGN TESTED TO 2000 LBS. LOAD PER TRANSFORMER POSITION WITH SIMULTANEOUS LOADING 14" OUT FROM MOUNTING PLATES.



VIEW OF LIFTING EYE  
CAT. NO. T212-0223

CAT. NO. C212-0142

|               |          |                                     |          |  |                        |
|---------------|----------|-------------------------------------|----------|--|------------------------|
| LATEST EC NO: |          | REV.                                | DATE     | CHANGED BY                                 | RESP ENGINEER          |
| 92102006      |          | B                                   | 03-03-93 | QUALLS                                     | ODOM                   |
|               |          |                                     |          | DO NOT SCALE THIS DWG                      | THIRD ANGLE PROJECTION |
|               |          |                                     |          | ISO DUAL DIMENSIONS IN-INCH, MM-MILLIMETER |                        |
| DRN BY:       | DATE     | TITLE:                              |          | SIZE                                       |                        |
| QUALLS        | 03-03-93 | "TT" TYPE TRANSFORMER MOUNTING RACK |          | C  |                        |
|               |          |                                     |          |  |                        |
|               |          |                                     |          | Dwg NO: SA212-0142                         |                        |

THIS DRAWING AND ITS CONTENTS ARE CONFIDENTIAL AND THE EXCLUSIVE PROPERTY OF HUBBELL POWER SYSTEMS COMPANY. NO REPRODUCTION, DISTRIBUTION OR DISSEMINATION OF THIS DRAWING OR ITS CONTENTS IS PERMITTED WITHOUT WRITTEN CONSENT BY HUBBELL POWER SYSTEMS COMPANY. © 1995 HUBBELL POWER SYSTEMS COMPANY. ALL RIGHTS RESERVED UNDER THE COPYRIGHT LAWS.