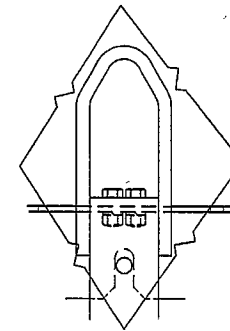
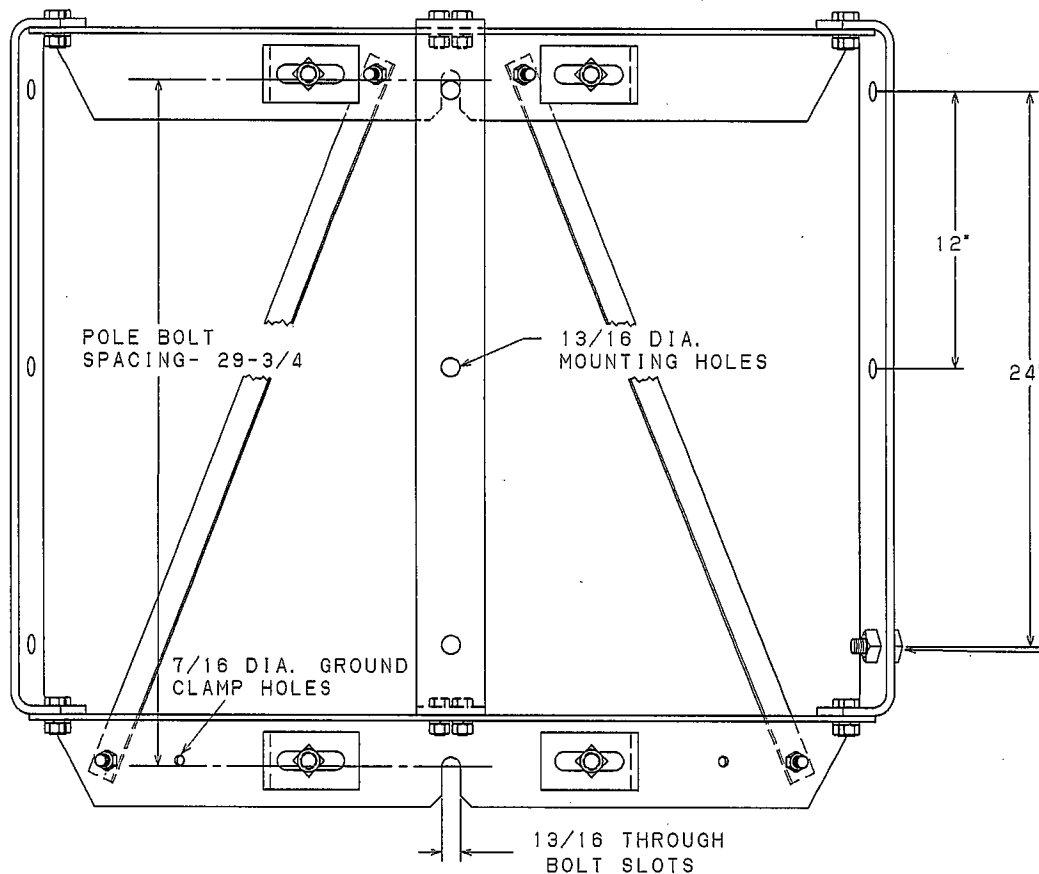


-NOTES-

1. ALL STEEL CONSTRUCTION.
2. HOT DIP GALVANIZED PER ASTM A-153- (LATEST REVISION).
3. DESIGNED TO FIT 7" TO 12" DIA. POLES.
4. ORDER 5/8" EYENUT, CAT. NO. 6502, AND 5/8" MACH. BOLTS FOR USE WITH LIFTING HOLES.
5. FOR GROUNDING PURPOSES, ORDER GROUND CLAMP CAT. NO. C212-0140.
6. DESIGN TESTED TO 5000 LBS. LOAD PER TRANSFORMER POSITION WITH SIMULTANEOUS LOADING 14" OUT FROM MOUNTING PLATES.



VIEW OF LIFTING EYE
CAT. NO. T212-0226

CAT. NO. C212-0145

6- 5/8 X 2-1/2 & 6-3/4 X 2-1/2
MOUNTING BOLTS FURNISHED.

| LATEST EC NO: | | REV. | DATE | CHANGED BY | RESP ENGINEER |
|---------------|----------|------------------------------------|----------|--|------------------------|
| 92102008 | | B | 02-02-93 | QUALLS | ODOM |
| | | | | DO NOT SCALE THIS DWG | THIRD ANGLE PROJECTION |
| | | | | ISO DUAL DIMENSIONS IN-INCH, MM-MILLIMETER | |
| DRN BY: | DATE | TITLE: | SIZE | | |
| QUALLS | 03-03-93 | TT" TYPE TRANSFORMER MOUNTING RACK | C | | |
| | | | | | |
| | | | | DWG No: | SA212-0145 |

CONFIDENTIAL: THIS DRAWING AND ITS CONTENTS ARE CONFIDENTIAL AND THE EXCLUSIVE PROPERTY OF HUBBELL POWER SYSTEMS, A DIVISION OF CHANCE COMPANY. ALL RIGHTS RESERVED UNDER THE COPYRIGHT LAWS OF 2000 HUBBELL/A.B. CHANCE. UNPUBLISHED.