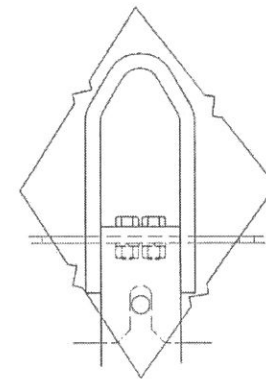
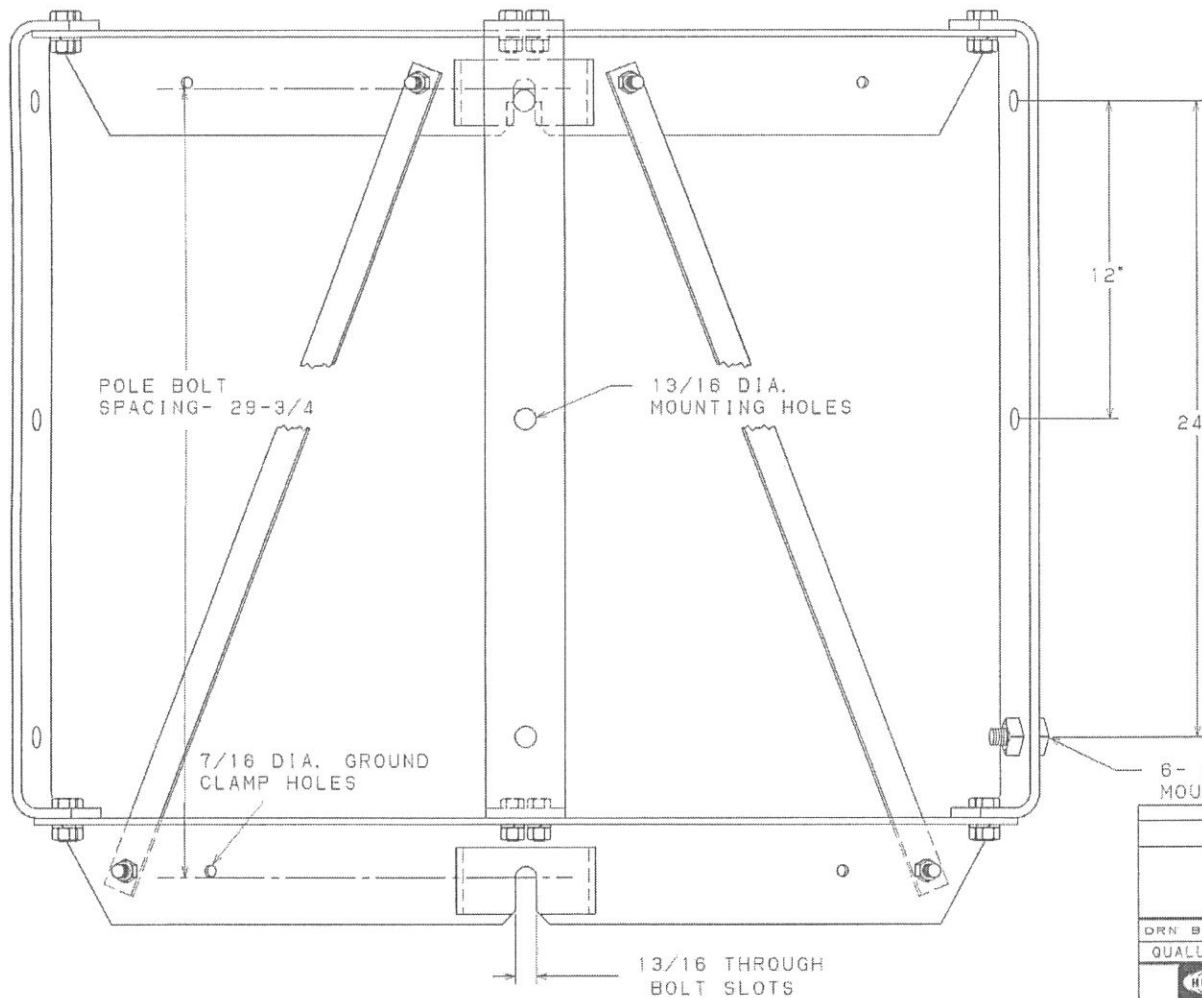


-NOTES-





1. ALL STEEL CONSTRUCTION.
2. HOT DIP GALVANIZED PER ASTM A-153-(LATEST REVISION).
3. ORDER 5/8" EYENUT, CAT. NO. 6502, AND 5/8" NACH. BOLTS FOR USE WITH LIFTING HOLES.
4. FOR GROUNDING PURPOSES, ORDER GROUND CLAMP CAT. NO. C212-0120.
5. DESIGN TESTED TO 5000 LBS. LOAD PER TRANSFORMER POSITION WITH SIMULTANEOUS LOADING 14' OUT FROM MOUNTING PLATES.



VIEW OF LIFTING EYE  
CAT. NO. T212-0227

CAT. NO. C212-0146

6- 5/8 X 2-1/2 & 6- 3/4 X 2-1/2  
MOUNTING BOLTS FURNISHED

| LATEST EC NO1   | REV.           | DATE  | CHANGED BY                           | RESP ENGINEER   |
|---|----------------|---|--------------------------------------|---|
| 92102006  | B              | 03-03-93  | QUALLS                               | ODOM  |
| <small>DO NOT SCALE THIS DWG</small>  |                |   |                                      | <small>THIRD ANGLE PROJECTION</small>  |
| <small>1:50 DUAL DIMENSIONS IN=INCH, MM=MILLIMETER</small>                            |                |   |                                      |   |
| DRN BY: QUALLS  | DATE: 03-03-93 | TITLE: TT TYPE TRANSFORMER MOUNTING RACK  | <small>9126</small>                  |   |
|  |                |  | <small>DWG NO:</small><br>SA212-0146 | <small>SCALE:</small><br>              |

CONFIDENTIAL: THIS DRAWING AND ITS CONTENTS ARE CONFIDENTIAL AND THE EXCLUSIVE PROPERTY OF HUBBELL, A. B. CHANCE COMPANY. NO PUBLICATION, DISTRIBUTION OR REPRODUCTION OF THIS DRAWING OR ANY PART THEREOF IS TO BE MADE WITHOUT THE WRITTEN CONSENT OF HUBBELL, A. B. CHANCE COMPANY. © 2000 HUBBELL, A. B. CHANCE. UNPUBLISHED - ALL RIGHTS RESERVED UNDER THE COPYRIGHT LAWS