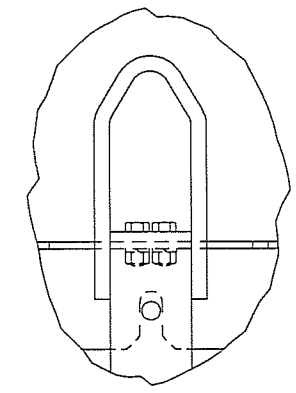
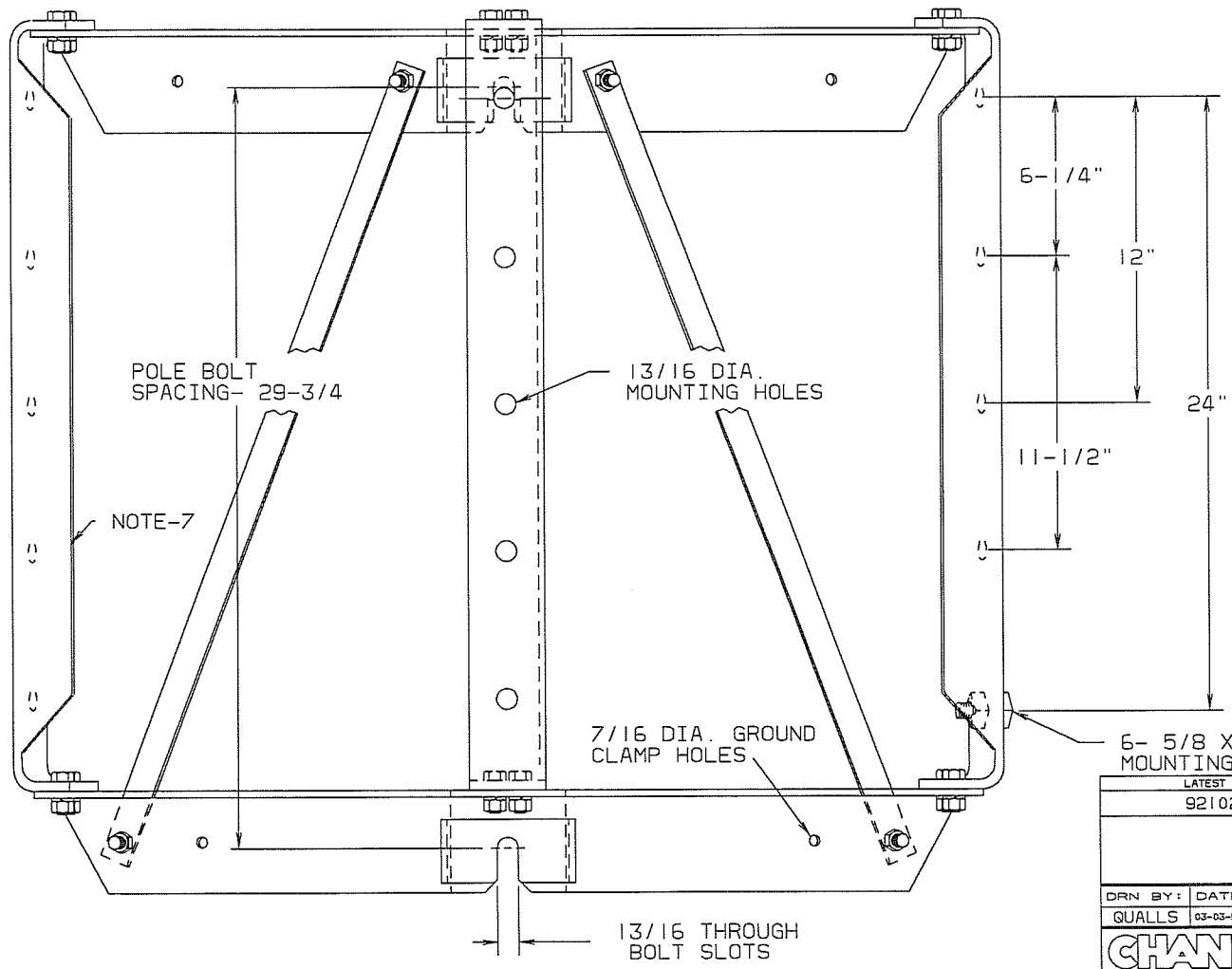
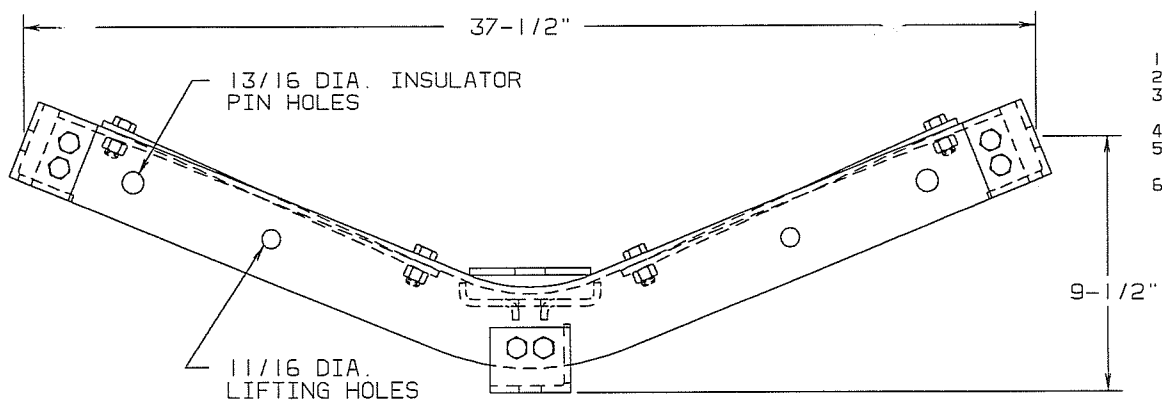


-NOTES-

1. ALL STEEL CONSTRUCTION.
2. HOT DIP GALVANIZED PER ASTM A-153-(LATEST REVISION).
3. ORDER 5/8" EYENUT, CAT. NO. 6502, AND 5/8" MACH. BOLTS FOR USE WITH LIFTING HOLES.
4. FOR GROUNDING PURPOSES, ORDER GROUND CLAMP CAT. NO. C212-0140.
5. DESIGN TESTED TO 5000 LBS. LOAD PER TRANSFORMER POSITION WITH SIMULTANEOUS LOADING 14" OUT FROM MOUNTING PLATES.
6. INSIDE SURFACE OF MOUNTING PLATES ARE STENCILED "ABC 3000".



VIEW OF LIFTING EYE
CAT. NO. T212-0228

CAT. NO. C212-0147

6- 5/8 X 2-1/2 & 6- 3/4 X 2-1/2 MOUNTING BOLTS FURNISHED

LATEST EC NO: 92102006	REV. B	DATE 03-03-93	CHANGED BY QUALLS	RESP ENGINEER ODOM
DRN BY: DATE QUALLS 03-03-93			TITLE: "11" TYPE TRANSFORMER MOUNTING RACK	
DO NOT SCALE THIS DWG		THIRD ANGLE PROJECTION		ISO DUAL DIMENSIONS IN-INCH, MM-MILLIMETER
				SIZE C
		A.B. CHANCE CO. CENTRALIA, MO. USA		DWG NO: SA212-0147

CONFIDENTIAL: THIS DRAWING AND ITS CONTENTS ARE CONFIDENTIAL AND THE EXCLUSIVE PROPERTY OF A. B. CHANCE COMPANY. NO PUBLICATION, DISTRIBUTION OR COPIES MAY BE MADE WITHOUT WRITTEN CONSENT BY A. B. CHANCE COMPANY. UNPUBLISHED - ALL RIGHTS RESERVED UNDER THE COPYRIGHT LAWS. © 1993 A. B. CHANCE CO.