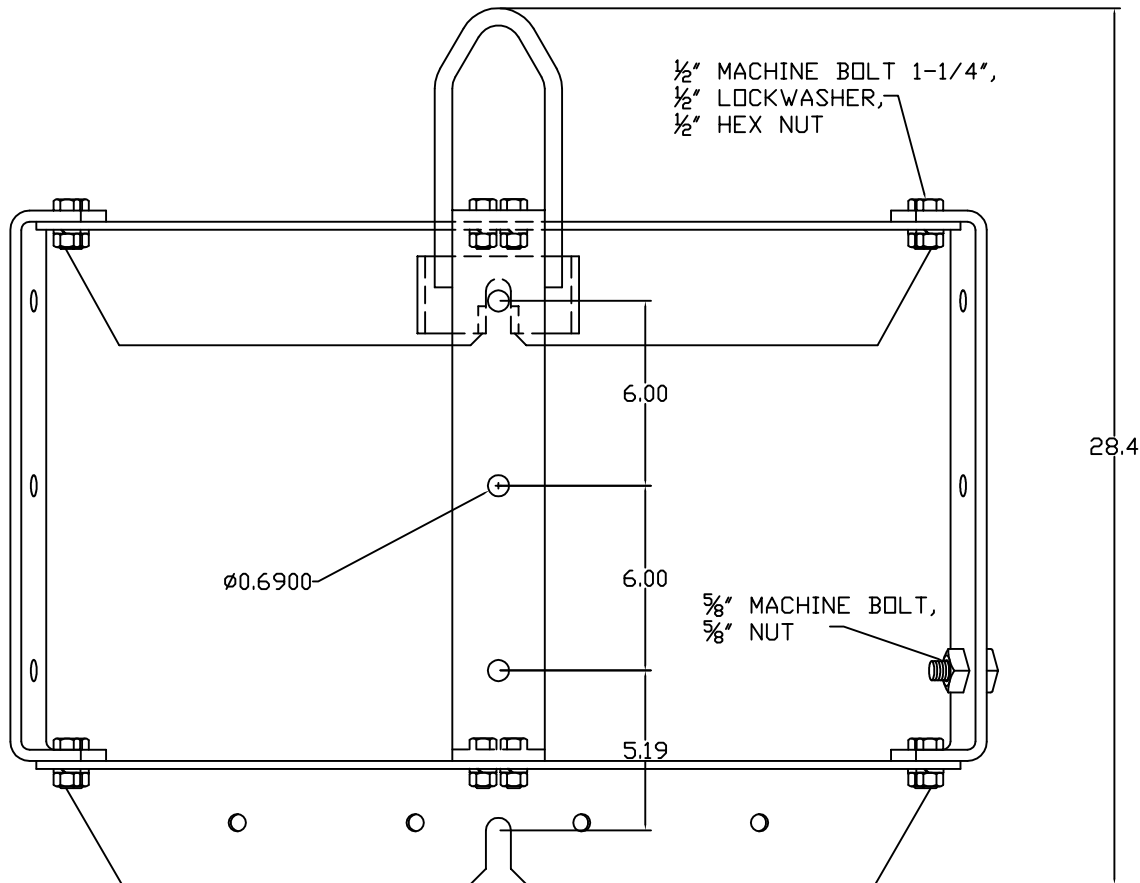


=NOTES=

1. MATERIAL: GALVANIZED STEEL PER ASTM A153 (LATEST REV)
2. $\frac{5}{8}$ " MACHINE BOLT AND NUT, AND GROUND LUG DO NOT COME ASSEMBLED TO BRACKET



CATALOG NUMBER: T2120223

DRN BY: SCRIVNER		DATE: 01-29-91	TITLE: "TT" TRANSFORMER MOUNT RACK	REV: C
			SA2120223	

ALL DIMENSIONS ARE IN INCHES UNLESS OTHERWISE SPECIFIED. DIMENSIONS IN PARENTHESES ARE FOR INFORMATION ONLY. DIMENSIONS IN PARENTHESES MAY BE MADE WITHOUT WRITTEN CONSENT BY HUBBELL / A. B. CHANCE COMPANY. © 2002 HUBBELL / A. B. CHANCE. UNPUBLISHED - ALL RIGHTS RESERVED UNDER THE COPYRIGHT LAWS