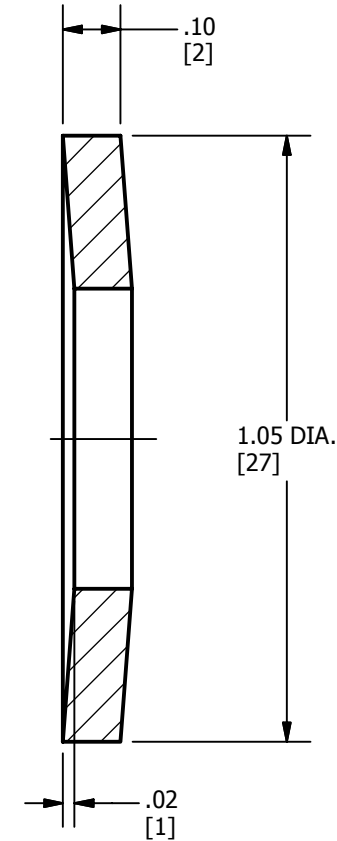
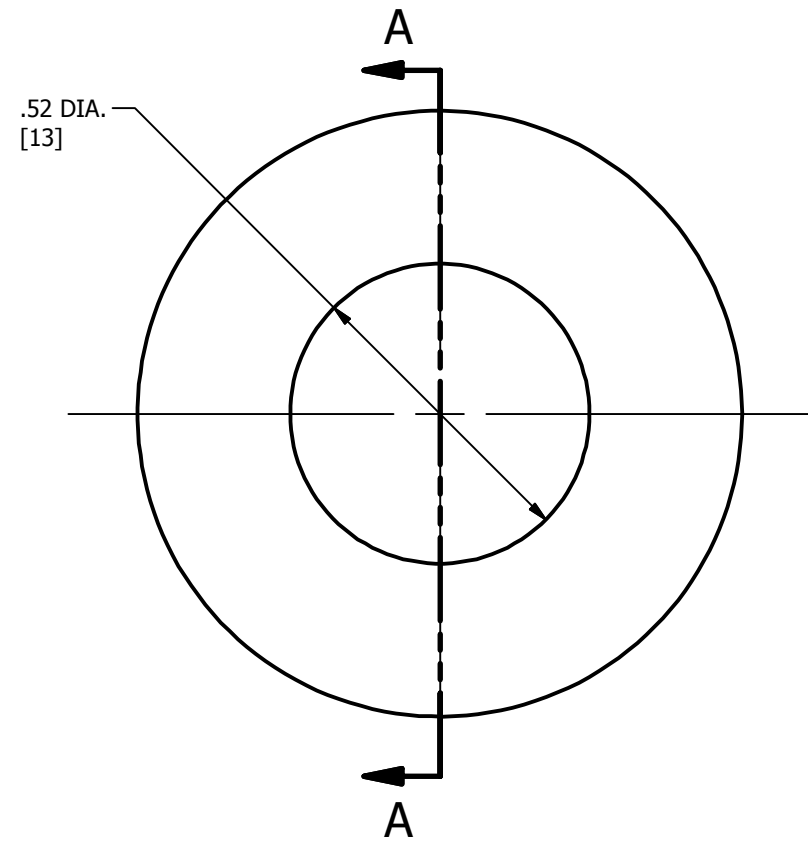
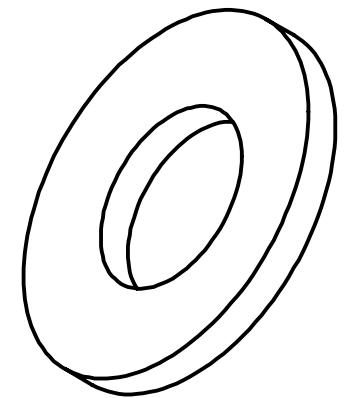


REV	DATE	DESCRIPTION	ECO	BY	C'H'K.
A	11/11/2013	DRAWING REDRAW PROCESS	32733	AT	MB



SECTION A-A



NOTES:

1. MATERIAL: STAINLESS STEEL.
2. CAPACITY AT FLATTENED HEIGHT=3,000 LB.
3. DIMENSIONS IN BRACKETS [] ARE IN MILLIMETERS ROUNDED OFF TO THE NEAREST MILLIMETER, UNLESS OTHERWISE SPECIFIED AND ARE FOR REFERENCE ONLY.

TO ORDER BURNDY® PRODUCTS CALL UNITED STATES 1-800-346-4175 (LONDONDERRY, NH) CANADA: 1-800-361-6975 (QUEBEC) 1-800-387-6487 (ALL OTHER PROVINCES) FOR PRODUCT INFO: http://www.burndy.com		BELLEVILLE WASHER	
		ITEM NO: 060016 CAT. NO: 50X106BWSS	
DRAWN BY: P LAPONIUS 02/18/2000 CHECKER: K HENRY 02/18/2000 DSN APRVL: J MICHAUD 02/18/2000 MFG APRVL: N/A QA APRVL: J BRODEUR 02/18/2000 MKT APRVL: D HAMILTON 02/18/2000			
PROD FAM: -- PROJECT #: -- DOCUMENT TYPE: SALES REL LEVEL: Released	SIZE: B	DRAWING NO: SA212452-01 SHEET 1 OF 1	REV: A