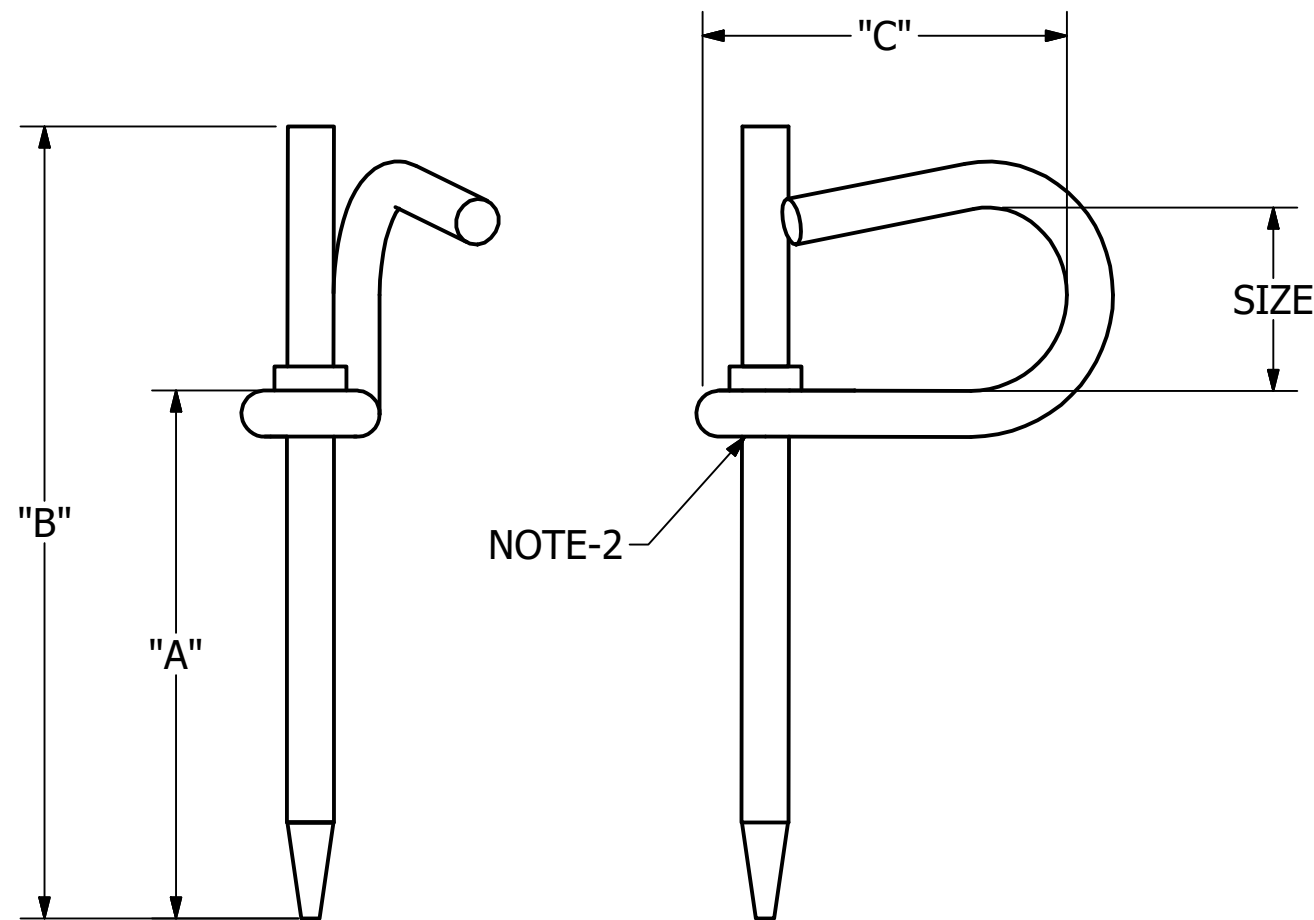
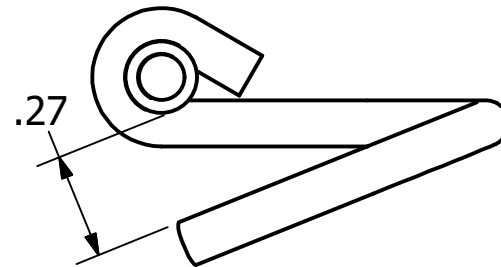
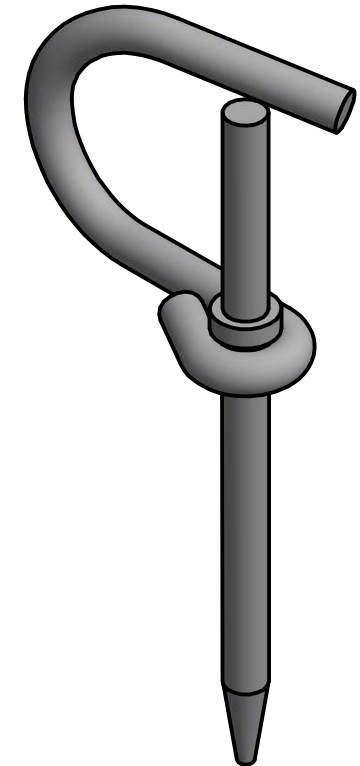


-NOTES-

1. USED TO SECURE OR TEMPORARILY SUPPORT DROP CABLE ON THE POLE.
2. RING IS INSTALLED SECURELY TO PIN AND DOES NOT ROTATE.
3. MEETS BELLCORE CA06835
4. STEEL, GALVANIZED PER ASTM A153.



CATALOG NUMBER	SIZE	"A"	"B"	"C"
PSC2170074	1/2	1 3/8	2 1/16	3/4
PSC2170075	5/8	1 7/16	2 1/4	1 1/8
PSC2170076	5/8L	1 15/16	2 3/4	1 1/8
PSC2170077	7/8	1 1/2	2 9/16	2 1/16
PSC2170078	7/8L	2	3 1/16	2 1/16
PSC2170079	1 1/4	1 5/8	2 15/16	2 3/4
PSC2170080	1 1/4L	2 1/8	3 7/16	2 3/4

CHANCE [®]	HUBBELL [®] POWER SYSTEMS, INC.			
	TITLE RING, DRIVE			
CONFIDENTIAL: THIS DRAWING AND ITS CONTENTS ARE CONFIDENTIAL AND THE EXCLUSIVE PROPERTY OF HUBBELL POWER SYSTEMS. NO PUBLICATION, DISTRIBUTION, OR COPIES MAY BE MADE WITHOUT THE WRITTEN CONSENT OF HUBBELL POWER SYSTEMS. HUBBELL POWER SYSTEMS UNPUBLISHED ALL RIGHTS RESERVED UNDER THE COPYRIGHT LAWS.	SIZE B	CAT / PART / ASSY NO. SEE CHART	DWG NO. SA2170074	REV B
	DO NOT SCALE THIS DRAWING	DRN BY HOEK	DATE 8/23/19	SHEET 1 OF 1