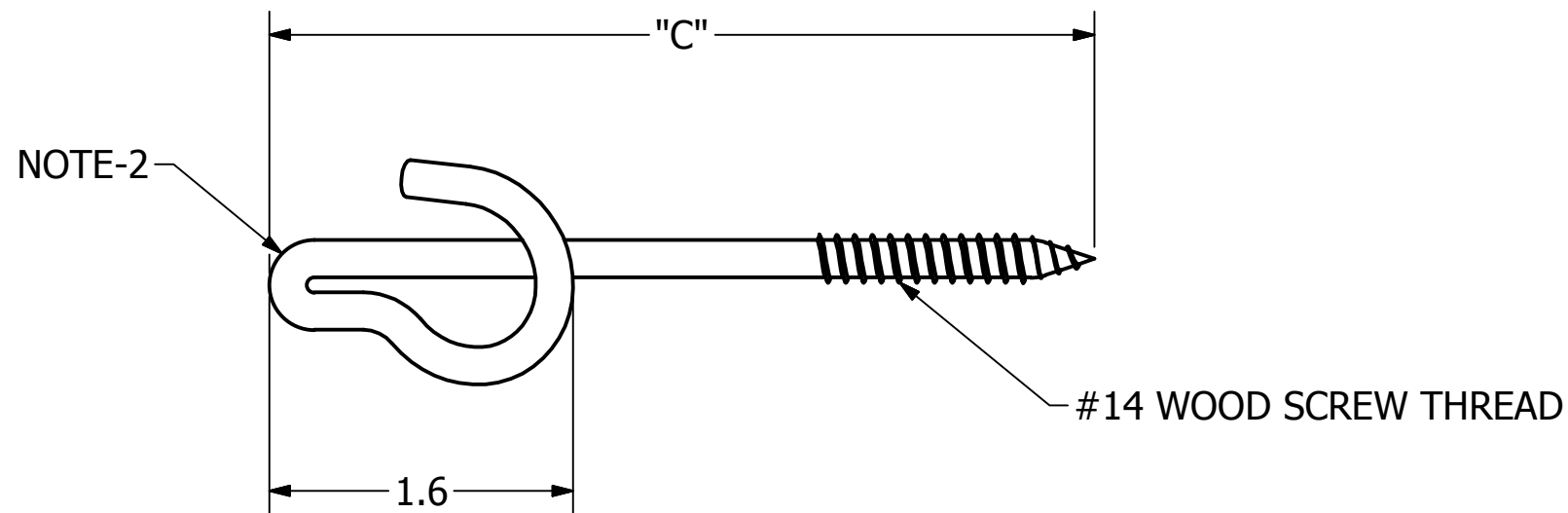
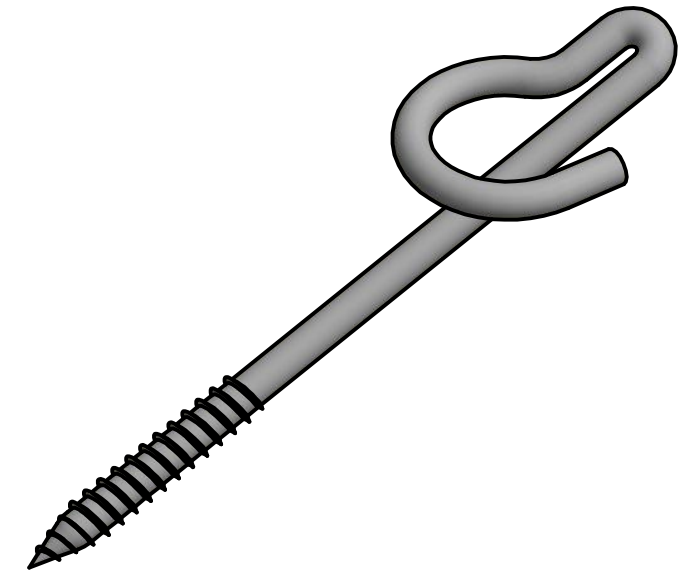


-NOTES-

1. USED TO ATTACH DROP WIRE CLAMP AT THE HOME.
2. USE 7/16" DRIVER TO INSTALL.
3. STEEL, MECHANICALLY GALVANIZED TO ASTM B695,
ALT: HOT DIP GALVANIZED TO ASTM A153.



CATALOG NUMBER	C
PSC2170096	4.5
PSC2170097	6.5

CHANCE [®]	HUBBELL POWER SYSTEMS, INC.			
	<small>POWER SYSTEMS, INC.</small>			
TITLE WRENCHABLE P HOUSE HOOK				
CONFIDENTIAL: THIS DRAWING AND ITS CONTENTS ARE CONFIDENTIAL AND THE EXCLUSIVE PROPERTY OF HUBBELL POWER SYSTEMS. NO PUBLICATION, DISTRIBUTION, OR COPIES MAY BE MADE WITHOUT THE WRITTEN CONSENT OF HUBBELL POWER SYSTEMS. HUBBELL POWER SYSTEMS UNPUBLISHED ALL RIGHTS RESERVED UNDER THE COPYRIGHT LAWS.	SIZE B	CAT / PART / ASSY NO. SEE CHART	DWG NO. SA2170096	REV --
	DO NOT SCALE THIS DRAWING	DRN BY MTH	DATE 12/5/16	SHEET 1 OF 1