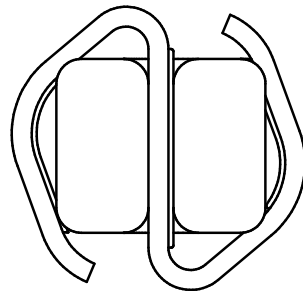
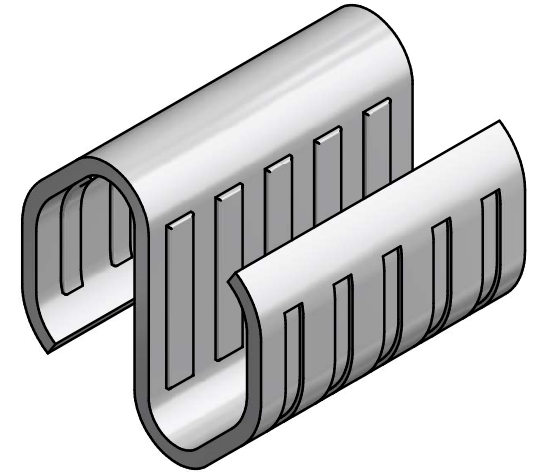
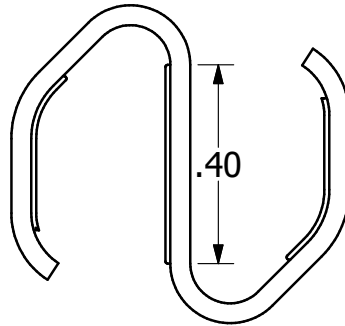
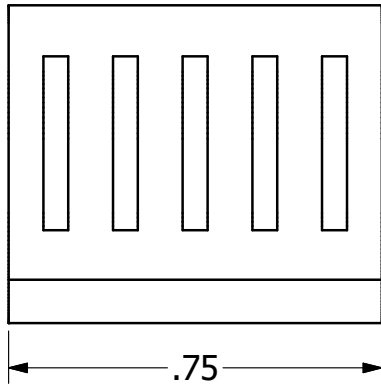
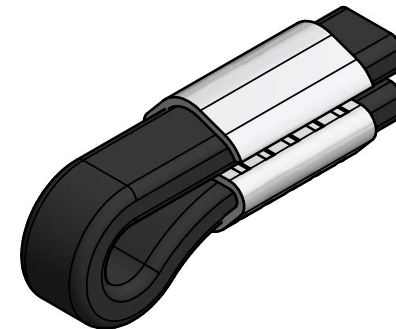


-NOTES-

1. USE TO CREATE A DRIP LOOP FOR TWISTED 2-PAIR DROP CABLE. CREATE LOOP BY PASSING THE CABLE THROUGH ONE SIDE OF THE "S" AND THEN THE OTHER. PINCH THE CLIP TO SECURE THE CABLE.
2. MATERIAL: ALUMINUM.



APPLICATION VIEW



APPLICATION VIEW

CATALOG NUMBER: PSC2170155

CHANCE [®] <small>CONFIDENTIAL: THIS DRAWING AND ITS CONTENTS ARE CONFIDENTIAL AND THE EXCLUSIVE PROPERTY OF HUBBELL POWER SYSTEMS. NO PUBLICATION, DISTRIBUTION, OR COPIES MAY BE MADE WITHOUT THE WRITTEN CONSENT OF HUBBELL POWER SYSTEMS. HUBBELL POWER SYSTEMS UNPUBLISHED ALL RIGHTS RESERVED UNDER THE COPYRIGHT LAWS.</small>	HUBBELL POWER SYSTEMS, INC.		
	TITLE 2 PAIR S-CLIP TELEPHONE		
SIZE B	CAT / PART / ASSY NO. PSC2170155	DWG NO. SA2170155	REV A
DO NOT SCALE THIS DRAWING	DRN BY HOEK	DATE 8/7/19	SHEET 1 OF 1