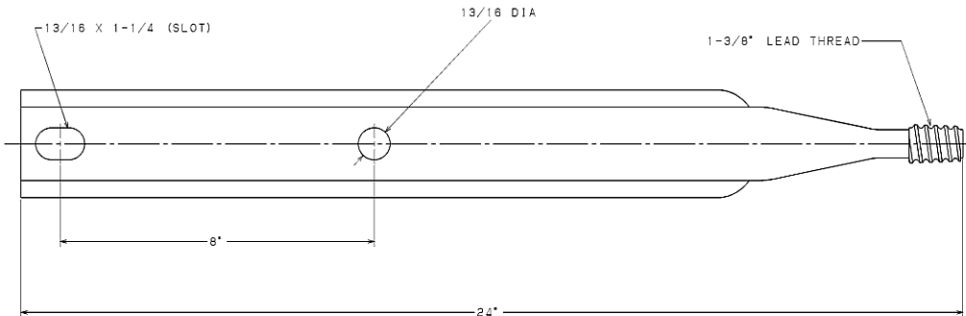


=NOTES=

1. MATERIAL: STEEL, HOT DIP GALV. PER ASTM A153 LATEST REVISION.



CAT. NO. 2196

LATEST EC NO: EC93050511		REV: A	DATE 05-19-93	CHANGED BY MARTIN	RESP ENGINEER ODOM
DD SCALE THIS DRAW				THIRD ANGLE PROJECTION	
DIMENSIONS IN MILLIMETERS				DIMENSIONS IN INCHES	
DMN BY: JONES	DATE 08-14-91	TITLE POLE TOP PIN			REV C
			Dwg No: SA2196		

CONFIDENTIAL: THIS DRAWING AND ITS CONTENTS ARE CONFIDENTIAL AND THE EXCLUSIVE PROPERTY OF HUMBLE, A. B. CHANCE COMPANY. NO REPLICATION, DISTRIBUTION OR DISSEMINATION OF THIS DRAWING OR ANY INFORMATION CONTAINED HEREIN IS TO BE MADE WITHOUT THE WRITTEN PERMISSION OF HUMBLE, A. B. CHANCE COMPANY. UNPUBLISHED. ALL RIGHTS RESERVED UNDER THE COPYRIGHT LAWS OF THE UNITED STATES OF AMERICA. © 2008 HUMBLE, A. B. CHANCE COMPANY