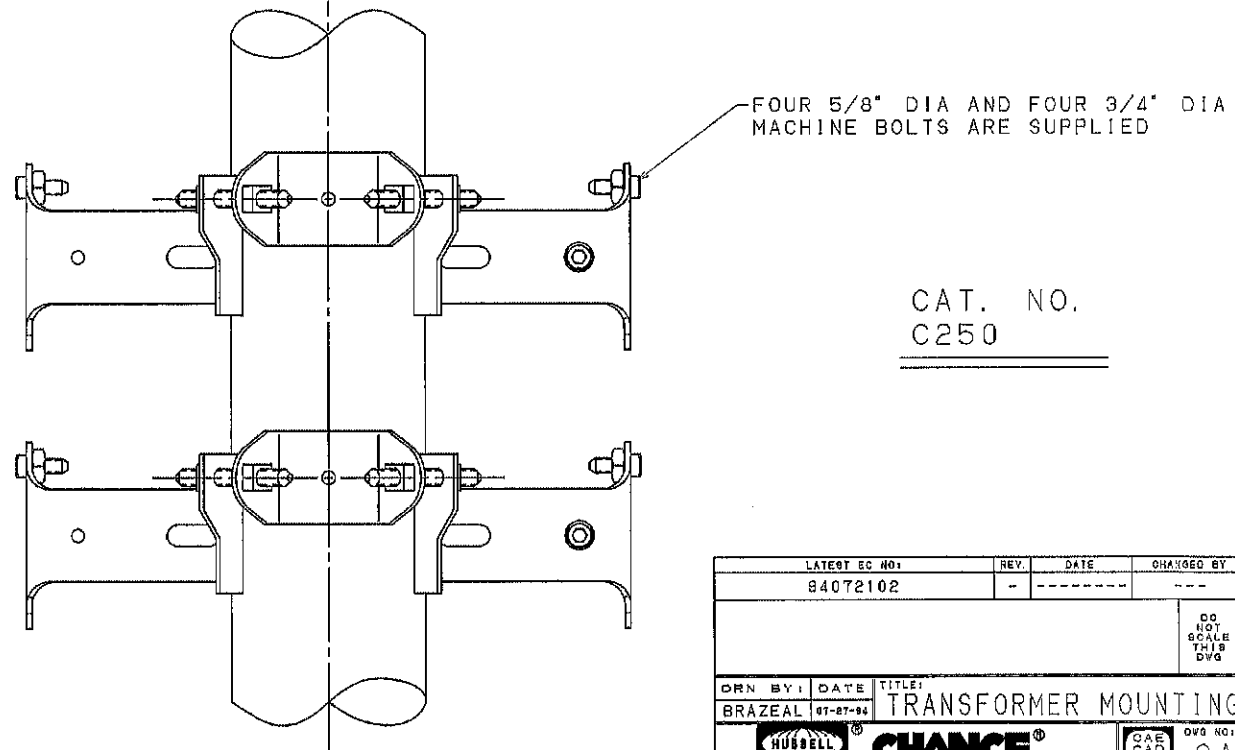
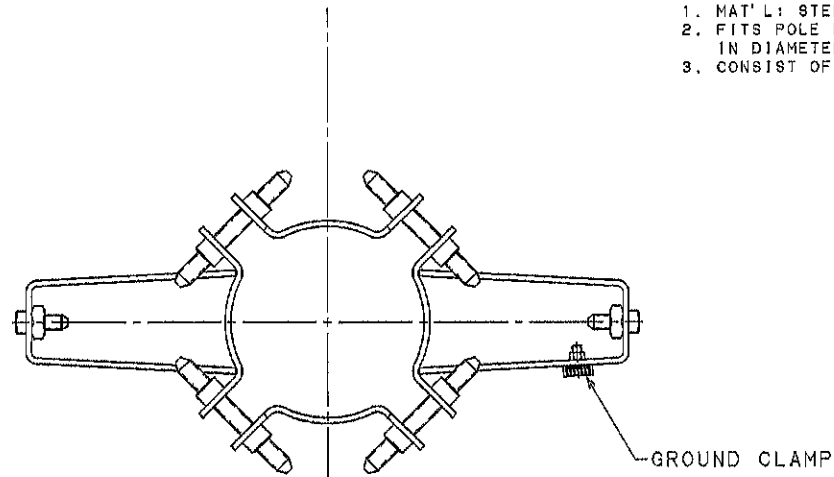


NOTES

1. MAT'L: STEEL HOT DIP GALVANIZED PER ASTM A153.
2. FITS POLE FROM 6 INCHES IN DIAMETER TO 10-1/2 INCHES IN DIAMETER.
3. CONSIST OF TWO C5250 TRANSFORMER BRACKET.



CAT. NO.
C250

LATEST EC NO:		REV.	DATE	CHANGED BY	RESP ENGINEER
84072102		-	-----	---	ODOM
					DO NOT SCALE THIS DWG THIRD ANGLE PROJECTION 1:50 DUAL DIMENSIONS IN=INCH, MM=MILLIMETER
DRN BY:	DATE:	TITLE:		SIZE:	
BRAZEAL	07-07-94	TRANSFORMER MOUNTING BRACKET C		1/2	
				DWG NO: SA250	

CONFIDENTIAL: THIS DRAWING AND ITS CONTENTS ARE CONFIDENTIAL AND THE EXCLUSIVE PROPERTY OF HUBBELL / A. B. CHANCE COMPANY. NO PUBLICATION, DISTRIBUTION OR COPIES MAY BE MADE WITHOUT WRITTEN CONSENT BY HUBBELL / A. B. CHANCE COMPANY. © 2000 HUBBELL/A. B. CHANCE. UNPUBLISHED - ALL RIGHTS RESERVED UNDER THE COPYRIGHT LAWS