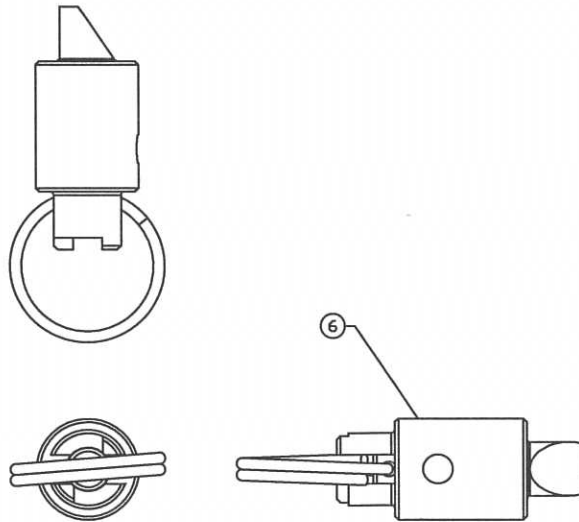


- * * NOTES * *
- ITEMS IN KIT SHOWN IN BILL OF MATERIALS SHEET.



ITEM PART DESCRIPTION	C303-0070
1 WARNING LABEL	1
2 LDA INSTRUCTIONS	1
3 WARNING LABEL	1
4 LOCTITE KIT	1
5 LOOSE PARTS WARN LABEL	1
6 LOCKING DOG SUB-ASSEMBLY	2

CHANCE
TOLERANCE CHART



HUBBELL POWER SYSTEMS

CONFIDENTIAL: THIS DRAWING AND ITS CONTENTS ARE CONFIDENTIAL AND THE EXCLUSIVE PROPERTY OF HUBBELL POWER SYSTEMS. NO PUBLICATION, DISTRIBUTION OR COPIES MAY BE MADE WITHOUT THE WRITTEN CONSENT OF HUBBELL POWER SYSTEMS. HUBBELL POWER SYSTEMS UNPUBLISHED. ALL RIGHTS RESERVED UNDER THE COPYRIGHT LAWS.

TITLE		LOCKING DOG REPLACEMENT KITS		REV
SIZE	DWG NO.	CAT / PART / ASSY NO.	---	
B	SA303-0070	SEE CHART		
DO NOT SCALE THIS DRAWING	DRN BY MTH	DATE 8/8/16	SHEET 1/1	