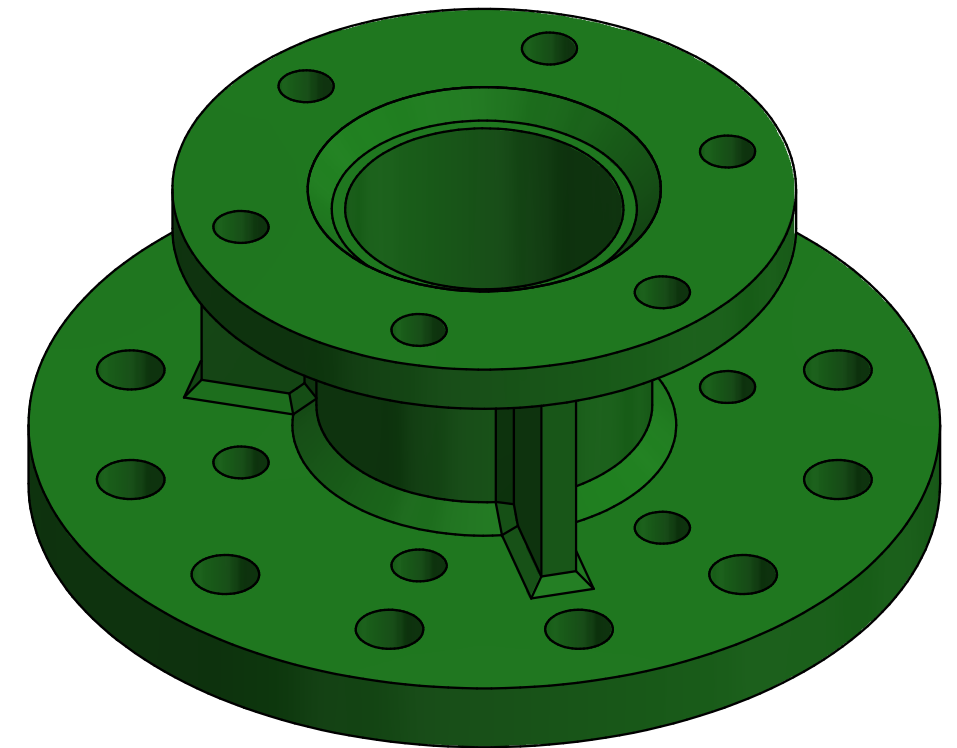


- \* \* NOTES \* \*
1. ADAPTER: 5-1/4" TO 7-5/8" BOLT CIRCLES
  2. MAT'L: STEEL - PER ASTM A36
  3. FINISH: PAINT - SPRUCE GREEN
  4. SEE INSTRUCTION SHEET FOR PROPER OPERATION  
PART NUMBER: P303-0795
  5. WEIGHT: 18-1/2 lb



<b>CHANCE</b> ®		<b>HUBBELL POWER SYSTEMS, INC.</b>		
	POWER SYSTEMS, INC.			
CONFIDENTIAL: THIS DRAWING AND ITS CONTENTS ARE CONFIDENTIAL AND THE EXCLUSIVE PROPERTY OF HUBBELL POWER SYSTEMS. NO PUBLICATION, DISTRIBUTION, OR COPIES MAY BE MADE WITHOUT THE WRITTEN CONSENT OF HUBBELL POWER SYSTEMS. HUBBELL POWER SYSTEMS UNPUBLISHED ALL RIGHTS RESERVED UNDER THE COPYRIGHT LAWS.		<b>TITLE</b> <b>BOLT CIRCLE ADAPTER</b> <b>5-1/4 TO 7-5/8</b>		
SIZE	CAT / PART / ASSY NO.	DWG NO.	REV	
<b>B</b>	<b>T303-0166</b>	<b>SA3030166</b>	<b>A</b>	
DO NOT SCALE THIS DRAWING	DRN BY TMK	DATE 12/4/15	SHEET 1 OF 1	