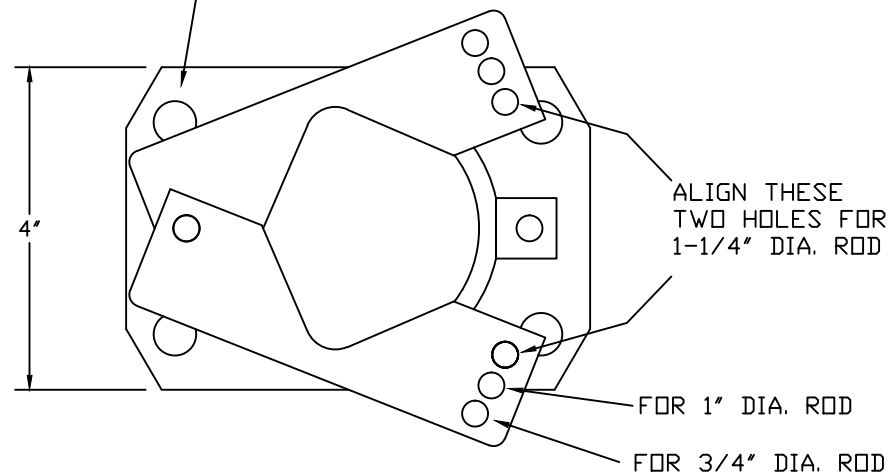


TORQUE RATING = 3000 FT.-LBS.

4 HOLES FOR 1/2"  
BOLTS, EQUALLY  
SPACED ON 6 HOLE  
5.25" BOLT CIRCLE



CONFIDENTIAL: THIS DRAWING AND ITS CONTENTS ARE CONFIDENTIAL AND THE EXCLUSIVE PROPERTY OF HUBBELL POWER SYSTEMS, INC. NO PUBLICATION, DISTRIBUTION OR COPIES MAY BE MADE WITHOUT THE PRIOR WRITTEN CONSENT OF HUBBELL POWER SYSTEMS, INC. HUBBELL POWER SYSTEMS UNPUBLISHED ALL RIGHTS RESERVED UNDER THE COPYRIGHT LAWS.		<b>ANCHOR ADAPTER</b> <b>E3030255</b>	
SIZE <b>A</b>	DWG NO. <b>SA3030255</b>	DRN BY JCA	DATE 08/27/08
DO NOT SCALE THIS DRAWING	SHEET 1/1	REV -	