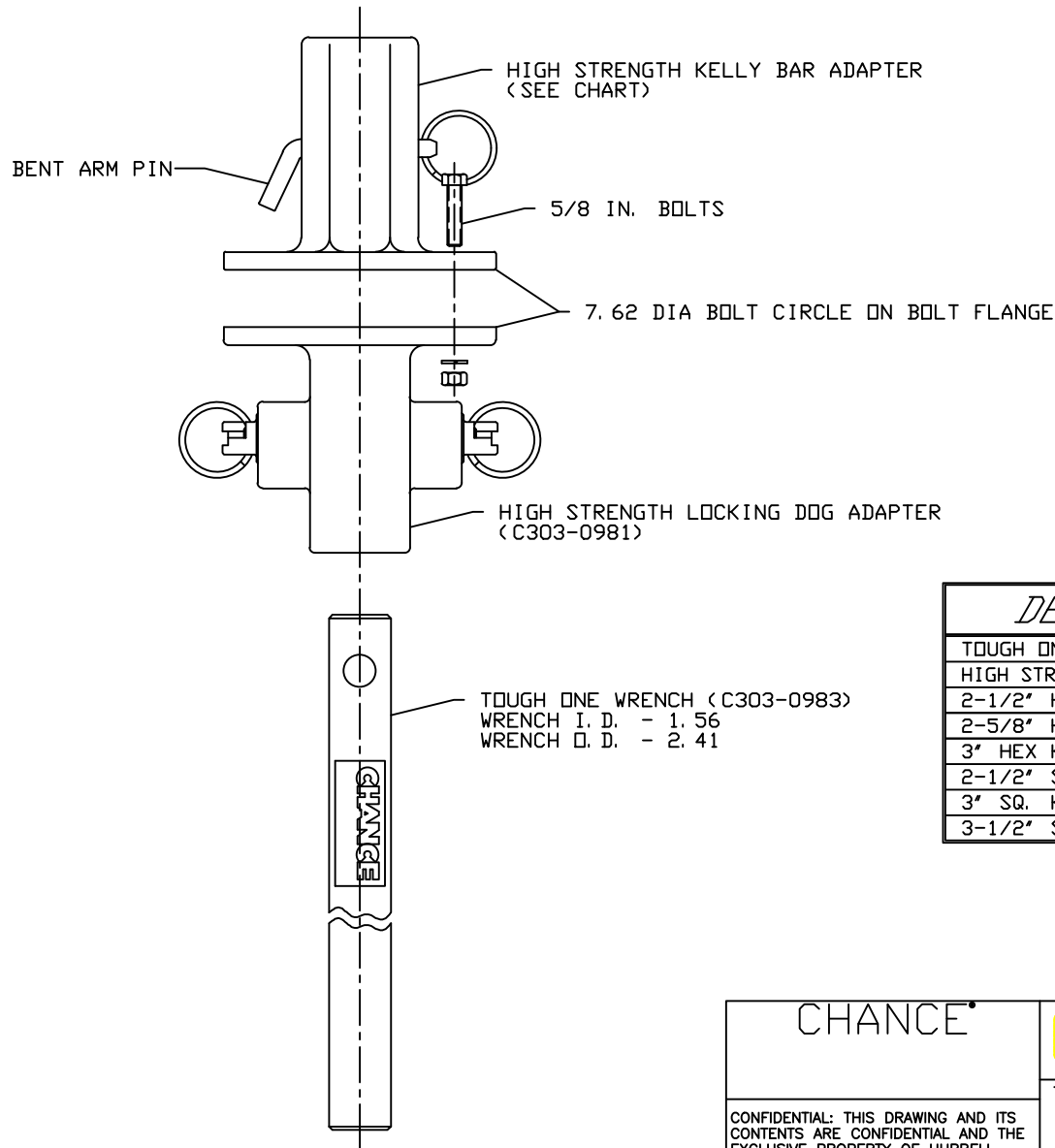



# TOUGH ONE<sup>®</sup> WRENCH SYSTEM



DESCRIPTION	CATALOG NO	WEIGHT
TOUGH ONE WRENCH	C303-0983	73 LBS
HIGH STRENGTH LOCKING DOG ADAPTER	C303-0981	28 LBS
2-1/2" HEX KELLY BAR ADAPTER	C303-0936	23 LBS
2-5/8" HEX KELLY BAR ADAPTER	C303-0937	23 LBS
3" HEX KELLY BAR ADAPTER	C303-0940	27 LBS
2-1/2" SQ. KELLY BAR ADAPTER	C303-0955	22 LBS
3" SQ. KELLY BAR ADAPTER	C303-0958	23 LBS
3-1/2" SQ. KELLY BAR ADAPTER	C303-1571	33 LBS

TORSIONAL SERVICE RATING  
15,000 FT. -LB.

CHANCE <sup>®</sup>	 <b>HUBBELL<sup>®</sup> POWER SYSTEMS</b>			
	TITLE <b>TOUGH ONE<sup>®</sup> WRENCH SYSTEM</b>			
CONFIDENTIAL: THIS DRAWING AND ITS CONTENTS ARE CONFIDENTIAL AND THE EXCLUSIVE PROPERTY OF HUBBELL POWER SYSTEMS. NO PUBLICATION, DISTRIBUTION OR COPIES MAY BE MADE WITHOUT THE WRITTEN CONSENT OF HUBBELL POWER SYSTEMS. HUBBELL POWER SYSTEMS UNPUBLISHED ALL RIGHTS RESERVED UNDER THE COPYRIGHT LAWS.	SIZE	DWG NO.	CAT / PART / ASSY NO.	REV
	C	SA303-10008	SEE CHART	B
DO NOT SCALE THIS DRAWING	DRN BY TLW	DATE 1/9/12	SHEET 1/1	