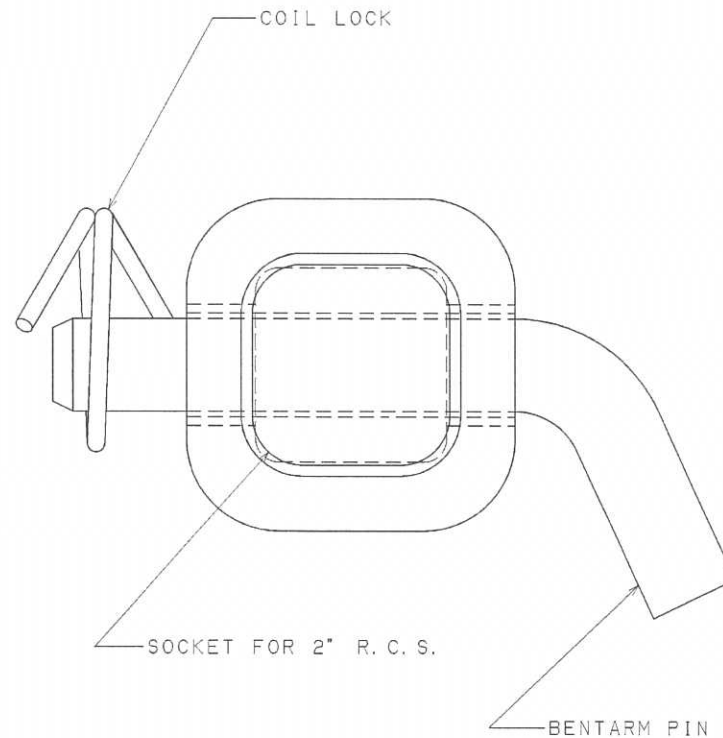
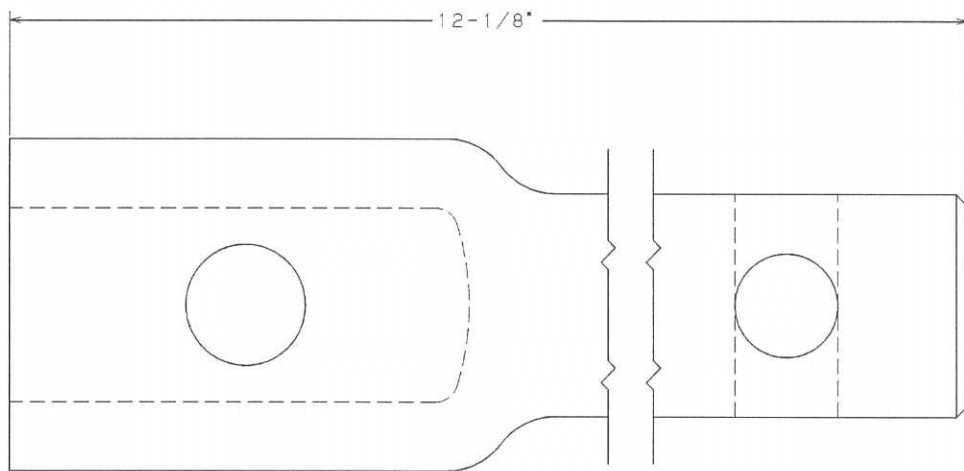


=NOTES=

1. PAINTED SPRUCE GREEN ENAMEL.



CATALOG NO. CC303-1077

LATEST EC NO:		REV.	DATE	CHANGED BY	RESP ENGINEER
EC92060101		-	-----	---	SEIDER
					DO NOT SCALE THIS DWG THIRD ANGLE PROJECTION ISO DUAL DIMENSIONS IN=INCH, MM=MILLIMETER
DRN BY:	DATE	TITLE:			SIZE
MARTIN	88-04-92	CAST SOCKET FOR 2" RCS C			C
				DWG NO: SA303-1077	

CONFIDENTIAL: THIS DRAWING AND ITS CONTENTS ARE CONFIDENTIAL AND THE EXCLUSIVE PROPERTY OF HUBBELL / A. B. CHANCE COMPANY. NO PUBLICATION, DISTRIBUTION OR COPIES MAY BE MADE WITHOUT WRITTEN CONSENT BY HUBBELL / A. B. CHANCE COMPANY. © 2000 HUBBELL/A. B. CHANCE. UNPUBLISHED - ALL RIGHTS RESERVED UNDER THE COPYRIGHT LAWS