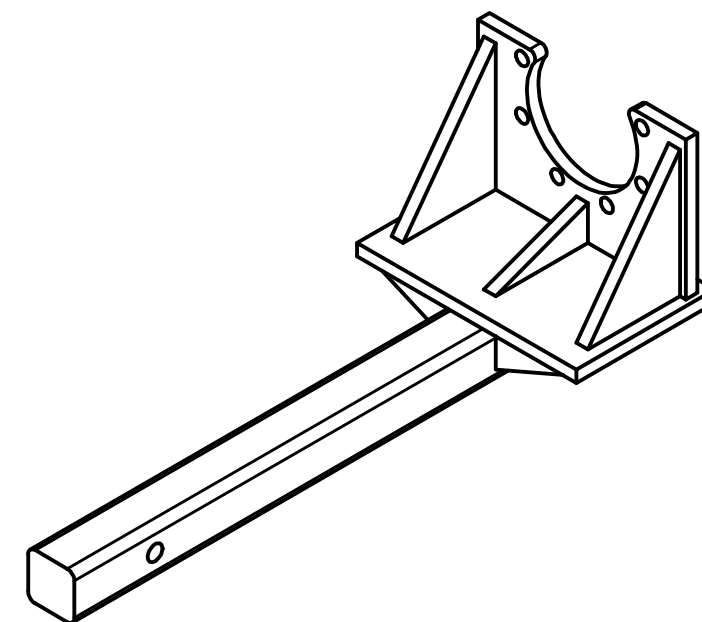


Fixed Position Capstan Hoist Hitch Mount

Catalog Number  
PSC3081578

**MAXIMUM WORKING LOAD: 2,000 lb**

Compatible with CHANCE Series 90 Capstan Hoists



INCLUDED HARDWARE:

- (6) P0011161P - HEX HEAD BOLT, 3/8-16 X 1-1/4"
- (6) P0011195P - LOCK WASHER, 3/8"
- (6) P0011349P - SOCKET HEAD CAPSCREW, 1/2-13 X 1-1/4"
- (6) P0011221P - LOCK WASHER, 1/2"

<b>CHANCE</b> <sup>®</sup>		 <b>HUBBELL POWER SYSTEMS, INC.</b>		
		TITLE <b>FIXED CAPSTAN HOIST HITCH MOUNT</b>		
CONFIDENTIAL: THIS DRAWING AND ITS CONTENTS ARE CONFIDENTIAL AND THE EXCLUSIVE PROPERTY OF HUBBELL POWER SYSTEMS. NO PUBLICATION, DISTRIBUTION, OR COPIES MAY BE MADE WITHOUT THE WRITTEN CONSENT OF HUBBELL POWER SYSTEMS. HUBBELL POWER SYSTEMS UNPUBLISHED ALL RIGHTS RESERVED UNDER THE COPYRIGHT LAWS.	SIZE <b>B</b>	CAT / PART / ASSY NO. <b>PSC3081578</b>	DWG NO. <b>SA3081578</b>	REV <b>A</b>
DO NOT SCALE THIS DRAWING	DRN BY TLK	DATE 11/22/19	SHEET 1 OF 1	