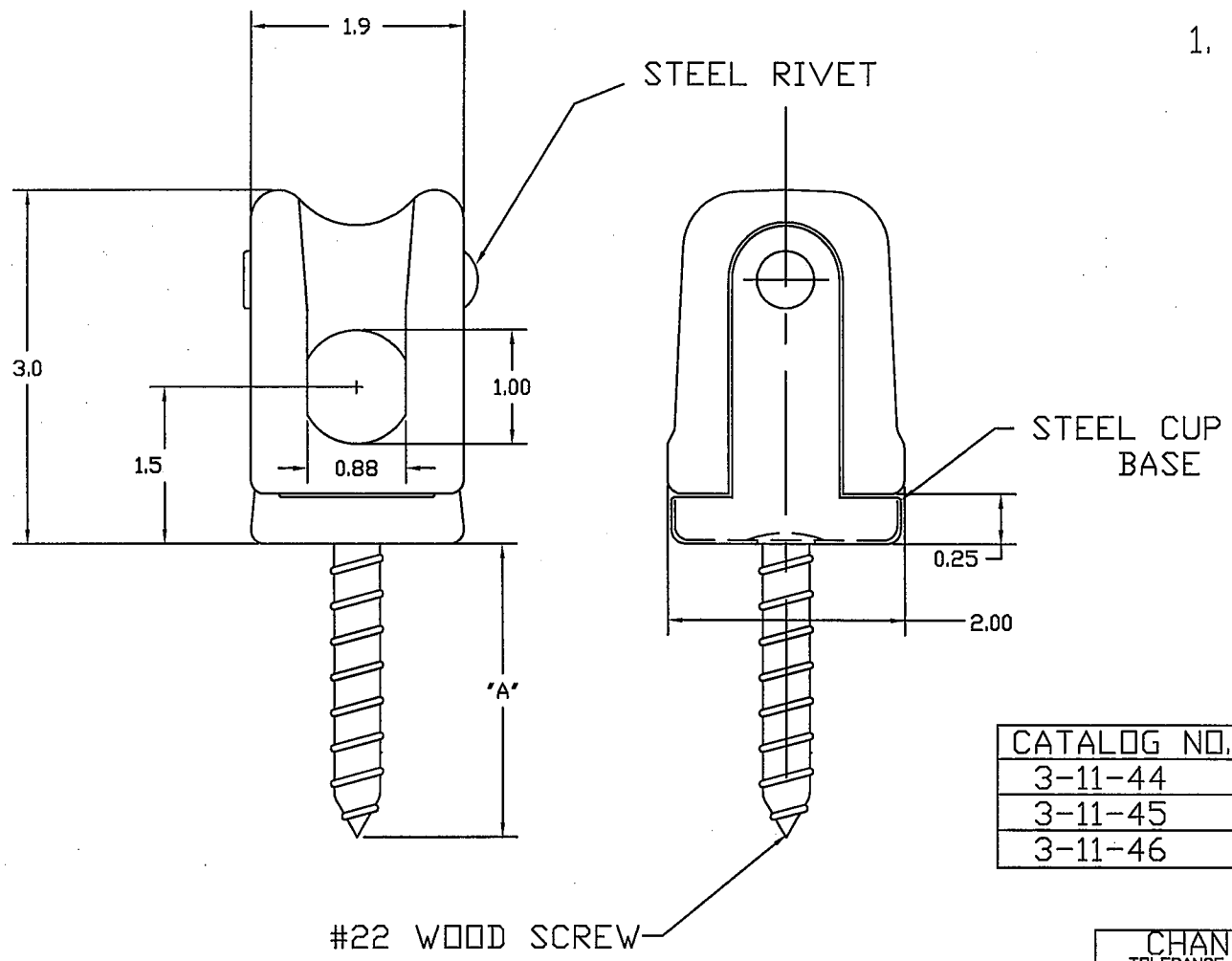



- - NOTES - -
 1. MATERIAL: PORCELAIN
 FINISH: GREY GLAZE



CATALOG NO.	DESCRIPTION	"A"
3-11-44	WIREHOLDER ASSY	2.5
3-11-45	WIREHOLDER ASSY	3
3-11-46	WIREHOLDER ASSY	4

CHANCE TOLERANCE CHART		 HUBBELL POWER SYSTEMS <small>POWER SYSTEMS, INC.</small>	
<small>CONFIDENTIAL: THIS DRAWING AND ITS CONTENTS ARE CONFIDENTIAL AND THE EXCLUSIVE PROPERTY OF HUBBELL POWER SYSTEMS. NO PUBLICATION, DISTRIBUTION OR COPIES MAY BE MADE WITHOUT THE WRITTEN CONSENT OF HUBBELL POWER SYSTEMS. HUBBELL POWER SYSTEMS UNPUBLISHED. ALL RIGHTS RESERVED UNDER THE COPYRIGHT LAWS.</small>		<small>TITLE</small> WIREHOLDER ASSEMBLY	
		<small>SIZE</small> SB SA3-11-44	<small>DWG NO.</small> SEE CHART
<small>DO NOT SCALE THIS DRAWING</small>		<small>DRN BY</small> JJJL	<small>DATE</small> 06/24/08
		<small>SHEET</small> 01	<small>OF</small> 01