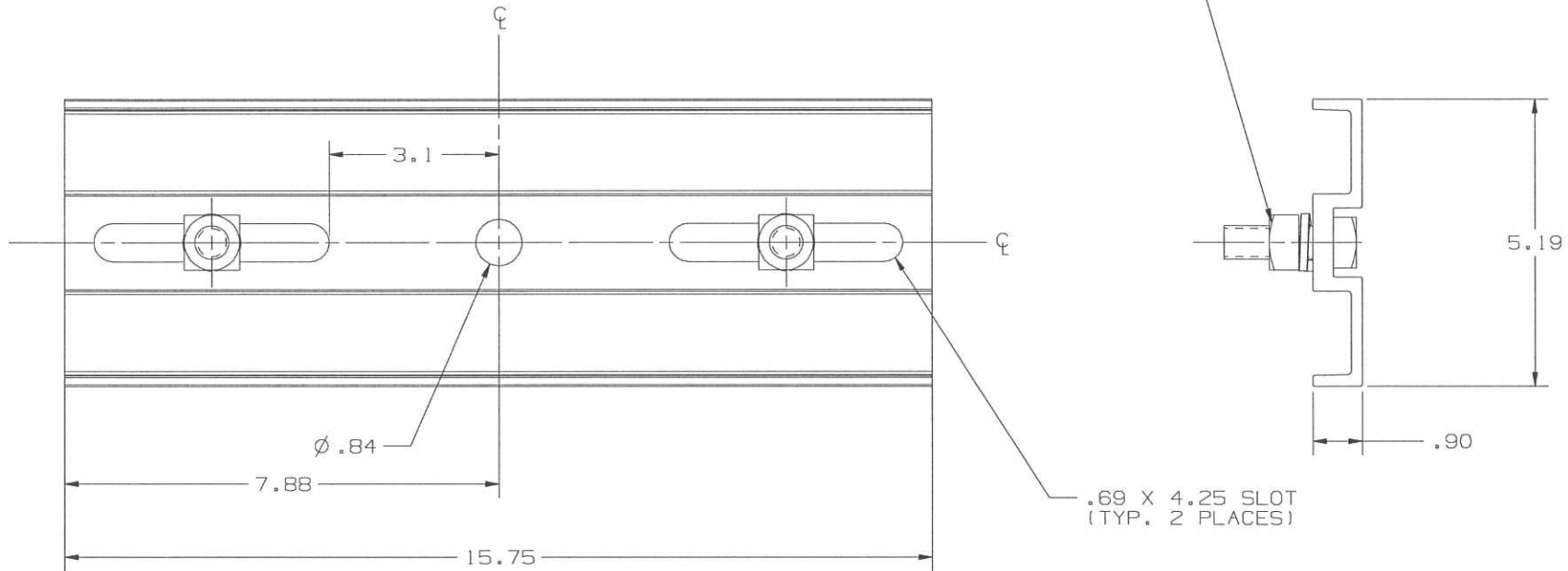


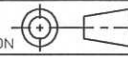



NOTES :

- 1.) MATERIAL: ALUMINUM (BRACKET) GALVANIZED STEEL (HARDWARE).
- 2.) ASSEMBLED COMPLETE AS SHOWN

5/8" X 2.00" SQUARE HEAD MACHINE BOLT,
 5/8" SINGLE COIL LOCKWASHER,
 5/8" SQUARE NUT
 (2 PLACES)



CATALOG NUMBER: C321A

LATEST EC NO:		REV.	DATE	CHANGED BY	RESP ENGINEER
---		-	-----	---	---
				DO NOT SCALE THIS DWG	THIRD ANGLE PROJECTION  ISO DUAL DIMENSIONS IN=INCH, MM=MILLIMETER
DRN BY:	DATE	TITLE:			SIZE
JJL	09-20-11	PLATE, ADAPTER			D
					DWG NO: SA321-A

CONFIDENTIAL: THIS DRAWING AND ITS CONTENTS ARE CONFIDENTIAL AND THE EXCLUSIVE PROPERTY OF HUBBELL / A.B. CHANCE COMPANY. NO PUBLICATION, DISTRIBUTION OR COPIES MAY BE MADE WITHOUT WRITTEN CONSENT BY HUBBELL / A.B. CHANCE COMPANY. © 2001 HUBBELL/A.B. CHANCE. UNPUBLISHED - ALL RIGHTS RESERVED UNDER THE COPYRIGHT LAWS