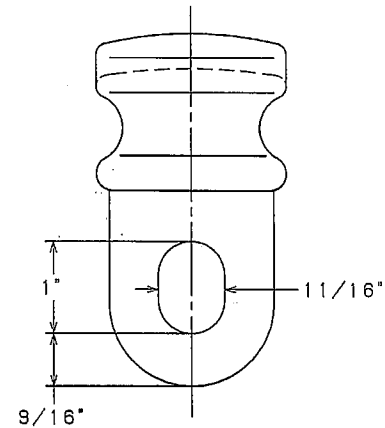
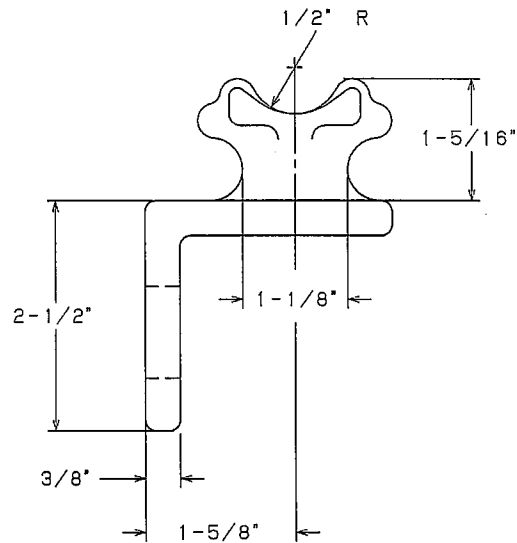


=NOTES=

1. MATERIAL: DUCTILE IRON PER ASTM A-536.
2. HIT DIP GALVANIZE PER ASTM SPEC. A153-(LATEST REVISION).



CATALOG NUMBER  
3470

LATEST EC NO: 92020518		REV. -	DATE -----	CHANGED BY ---	RESP ENGINEER ODOM
DO NOT SCALE THIS DWG THIRD ANGLE PROJECTION ISO DUAL DIMENSIONS IN=INCH, MM=MILLIMETER					
DRN BY: JONES	DATE 02-07-92	TITLE: NEUTRAL WIRE BRACKET			SIZE C
				DWG NO: SA3470	

CONFIDENTIAL: THIS DRAWING AND ITS CONTENTS ARE CONFIDENTIAL AND THE EXCLUSIVE PROPERTY OF HUBBELL / A. B. CHANCE COMPANY. NO PUBLICATION, DISTRIBUTION OR COPIES MAY BE MADE WITHOUT WRITTEN CONSENT BY HUBBELL / A. B. CHANCE COMPANY. © 2000 HUBBELL/A. B. CHANCE. UNPUBLISHED - ALL RIGHTS RESERVED UNDER THE COPYRIGHT LAWS