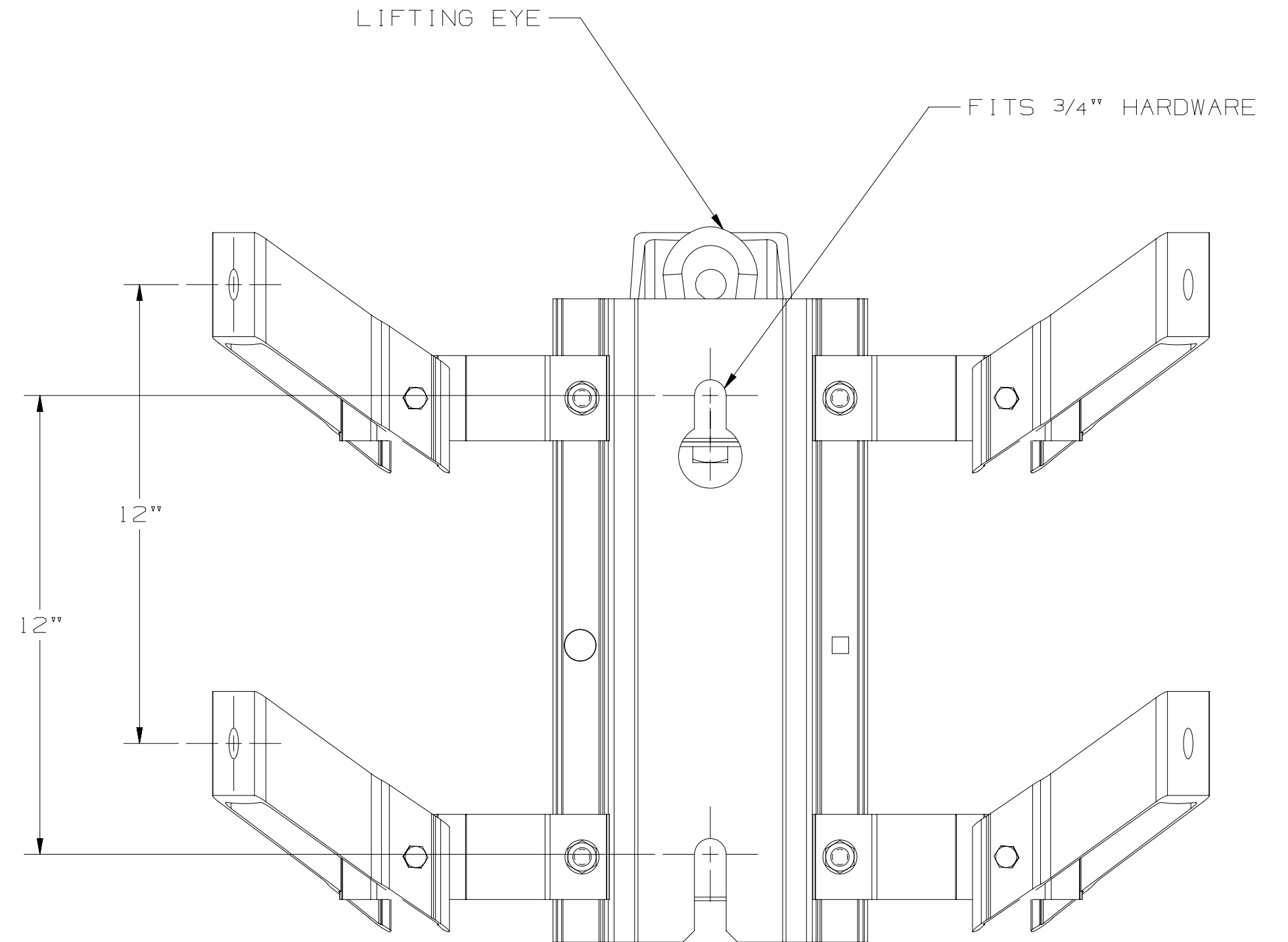
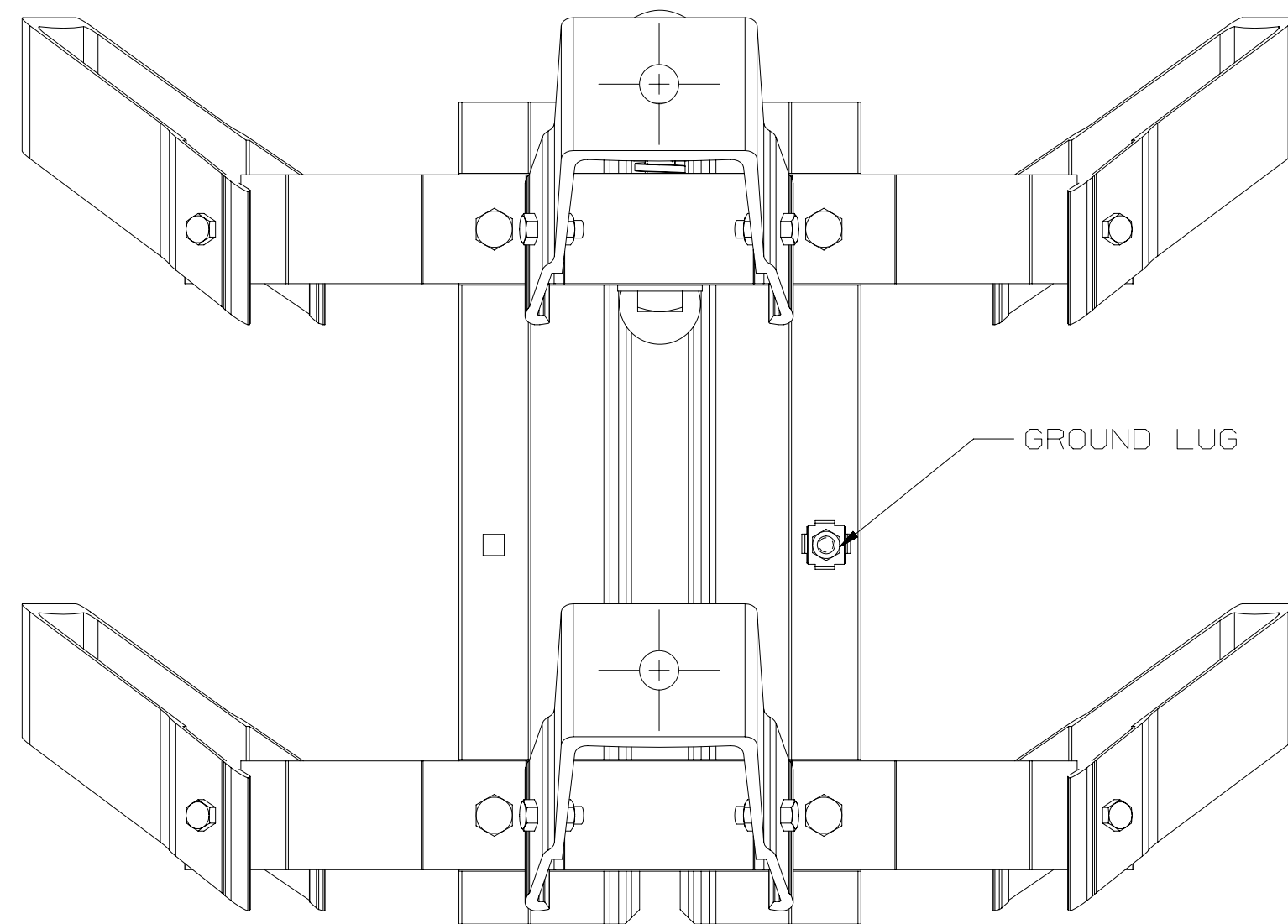
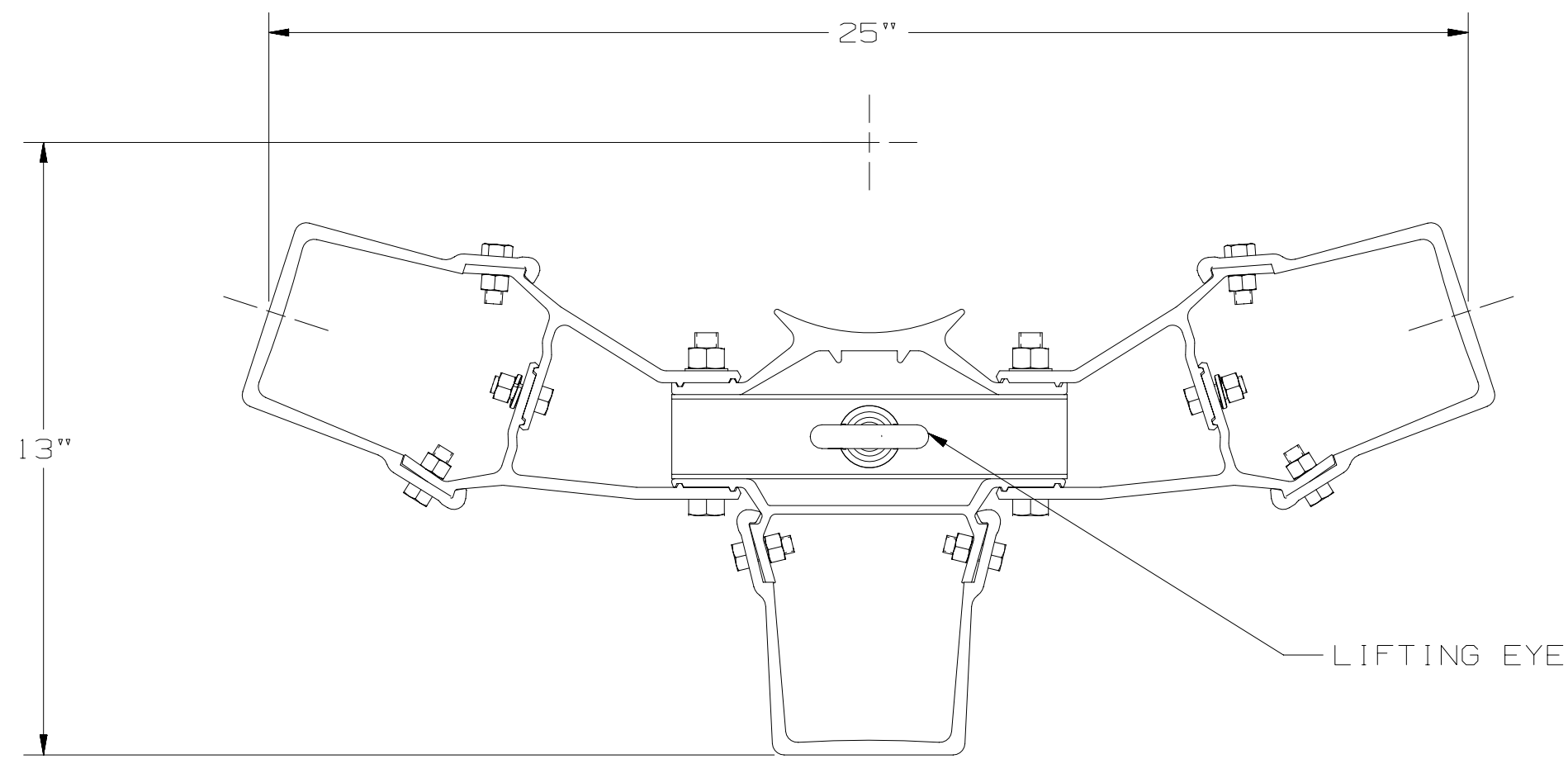


NOTES:

- 1.) ASSEMBLED COMPLETE AS SHOWN.
- 2.) MATERIAL: ALUMINUM (RACK BODY), GALVANIZED STEEL (HARDWARE).
- 3.) ASSEMBLIES SUPPLIED WITH 5/8" HIGH STRENGTH BOLTS (6) FOR USE WITH ALL TRANSFORMER LUGS.
- 4.) ASSEMBLIES SUPPLIED WITH 5/8" X 3" SQUARE HEAD MACHINE BOLTS (6).
- 5.) C3MW24MLP IS PACKAGED ON PALLETS INSTEAD OF INDIVIDUAL BOXES. (25 RACKS/PALLET)



CATALOG NO.	LIFTING EYE	HARDWARE
C3MW24ML	YES	NOTE - 3
C3MW24M	NO	NOTE - 3
C3MW24MLCE	YES	NOTE - 4
C3MW24MLP	YES	NOTE - 3

LATEST EC NO: -----		REV. E	DATE 10/31/13	CHANGED BY JUL	RESP ENGINEER JUL
				DO NOT SCALE THIS DWG	THIRD ANGLE PROJECTION ISO DUAL DIMENSIONS IN=INCH, MM=MILLIMETER
DRN BY: JUL	DATE 07-06-12	TITLE: TRANSFORMER RACK, WING			SIZE C
				DWG NO: SA3MW-24-M-L	

CONFIDENTIAL: THIS DRAWING AND ITS CONTENTS ARE CONFIDENTIAL AND THE EXCLUSIVE PROPERTY OF HUBBELL POWER SYSTEMS, INC. NO PUBLICATION, DISTRIBUTION OR COPIES MAY BE MADE WITHOUT WRITTEN CONSENT BY HUBBELL POWER SYSTEMS, INC. © 2012 HUBBELL POWER SYSTEMS. UNPUBLISHED. ALL RIGHTS RESERVED UNDER THE COPYRIGHT LAWS