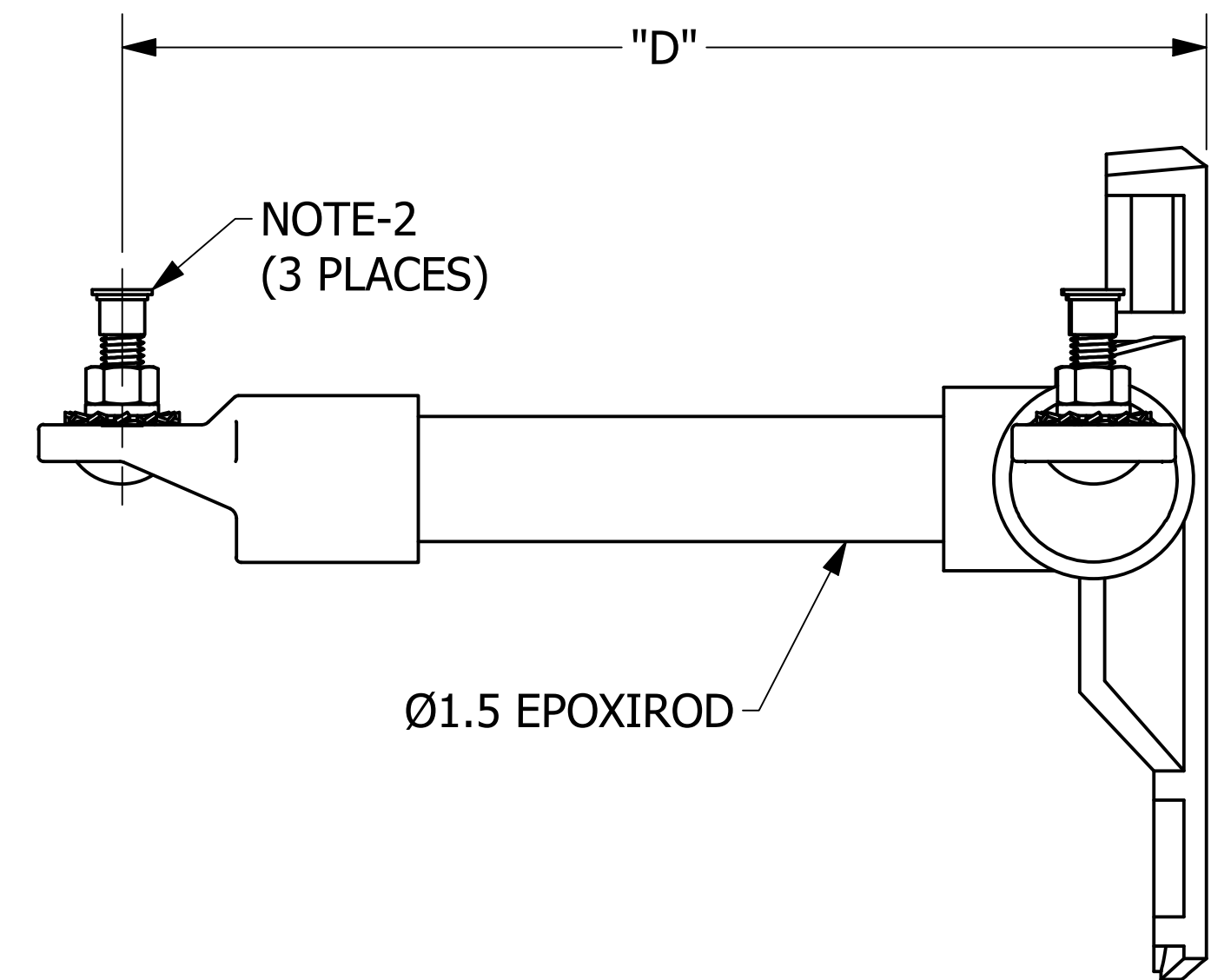
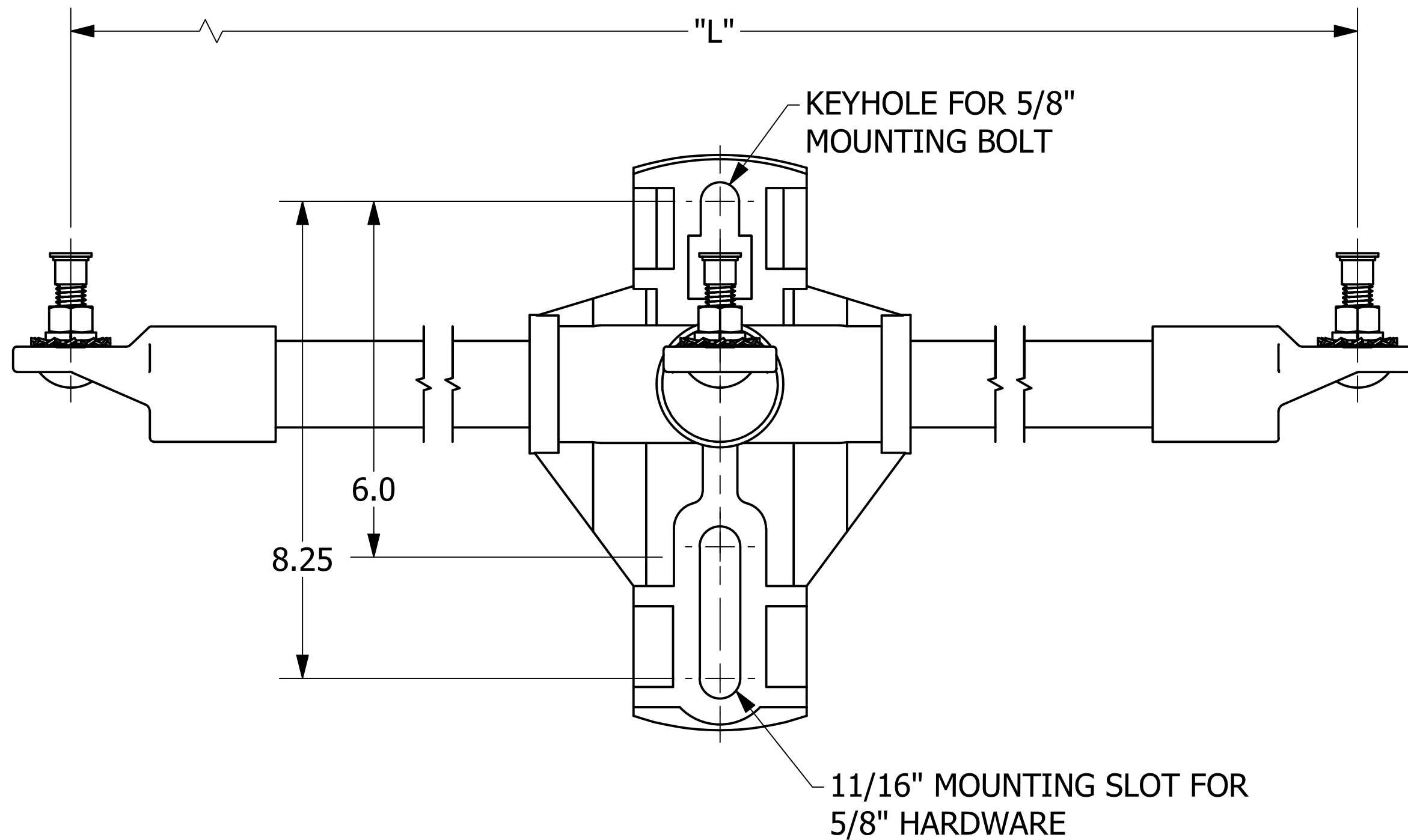
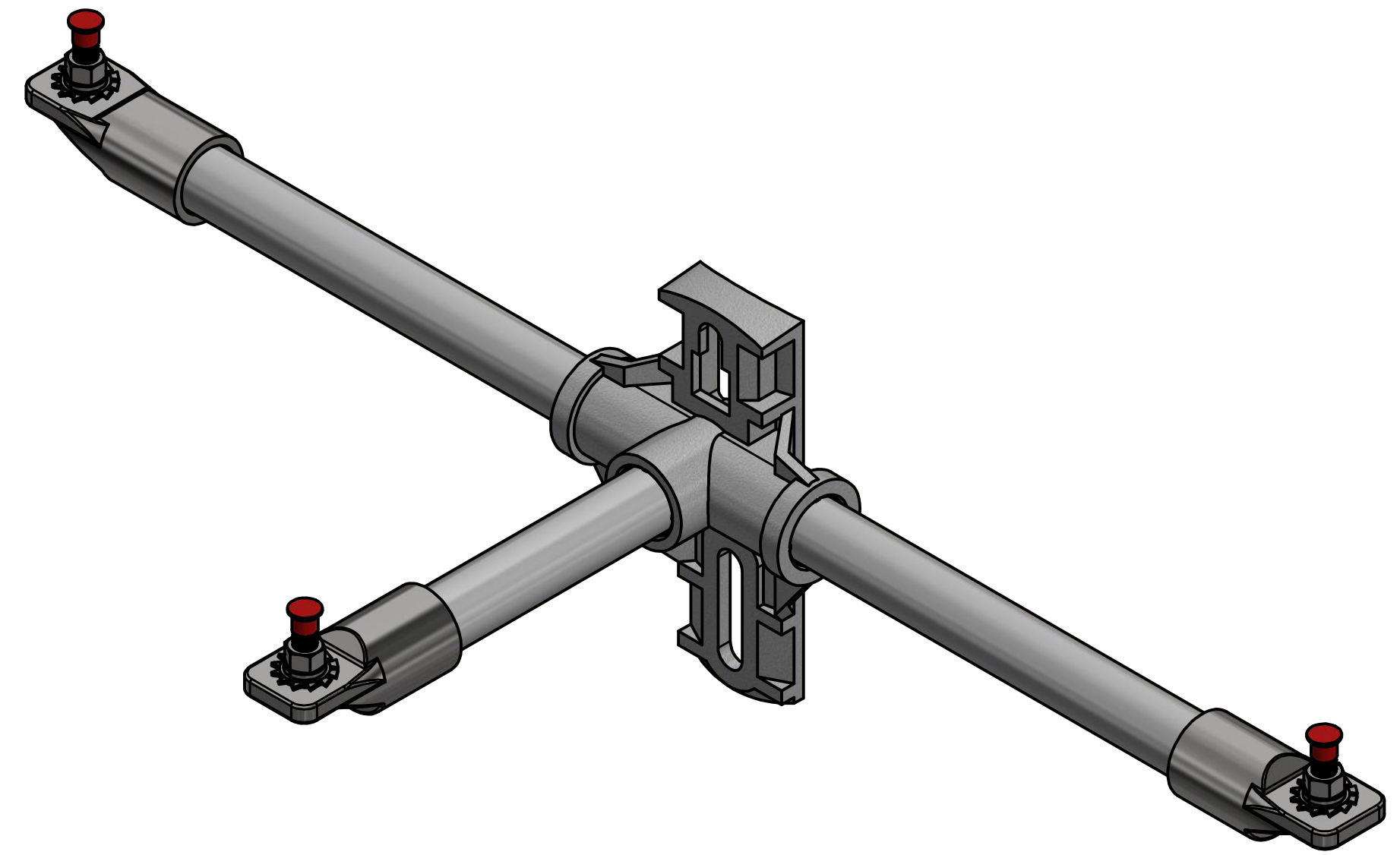


-NOTES-

1. MATERIAL: ALUMINUM MOUNTING BASE WITH GALVANIZED DUCTILE IRON END FITTINGS.
2. 1/2-13 X 2" CAPTIVE CARRIAGE BOLT, EXTERNAL TOOTH LOCKWASHER, SPRING LOCKWASHER, HEX NUT AND CAPLUG INCLUDED IN EACH END FITTING.

CATALOG NUMBER	DESCRIPTION	"L"	"D"
3SBM3613SGLB	STANDOFF WITH HARDWARE	36"	13"
3SBM3618SGLB	STANDOFF WITH HARDWARE	36"	18"
3SBM4813SGLB	STANDOFF WITH HARDWARE	48"	13"
3SBM4818SGLB	STANDOFF WITH HARDWARE	48"	18"
3SBM4824SGLB	STANDOFF WITH HARDWARE	48"	24"
3SBM5812SGLB	STANDOFF WITH HARDWARE	58"	12"
3SBM8212SGLB	STANDOFF WITH HARDWARE	82"	12"



CHANCE [®]	HUBBELL [®] HUBBELL POWER SYSTEMS, INC. <small>POWER SYSTEMS, INC.</small>			
	TITLE STANDOFF BRACKET, 3-PHASE 1 LOCATION, 0°			
<small>CONFIDENTIAL: THIS DRAWING AND ITS CONTENTS ARE CONFIDENTIAL AND THE EXCLUSIVE PROPERTY OF HUBBELL POWER SYSTEMS. NO PUBLICATION, DISTRIBUTION, OR COPIES MAY BE MADE WITHOUT THE WRITTEN CONSENT OF HUBBELL POWER SYSTEMS. HUBBELL POWER SYSTEMS UNPUBLISHED ALL RIGHTS RESERVED UNDER THE COPYRIGHT LAWS.</small>	<small>SIZE</small> C	<small>CAT / PART / ASSY NO.</small> SEE CHART	<small>DWG NO.</small> SA3SBMXXXXSGLB	<small>REV</small> C
<small>DO NOT SCALE THIS DRAWING</small>	<small>DRN BY</small> HOEK	<small>DATE</small> 10/21/22	<small>SHEET 1 OF 1</small>	