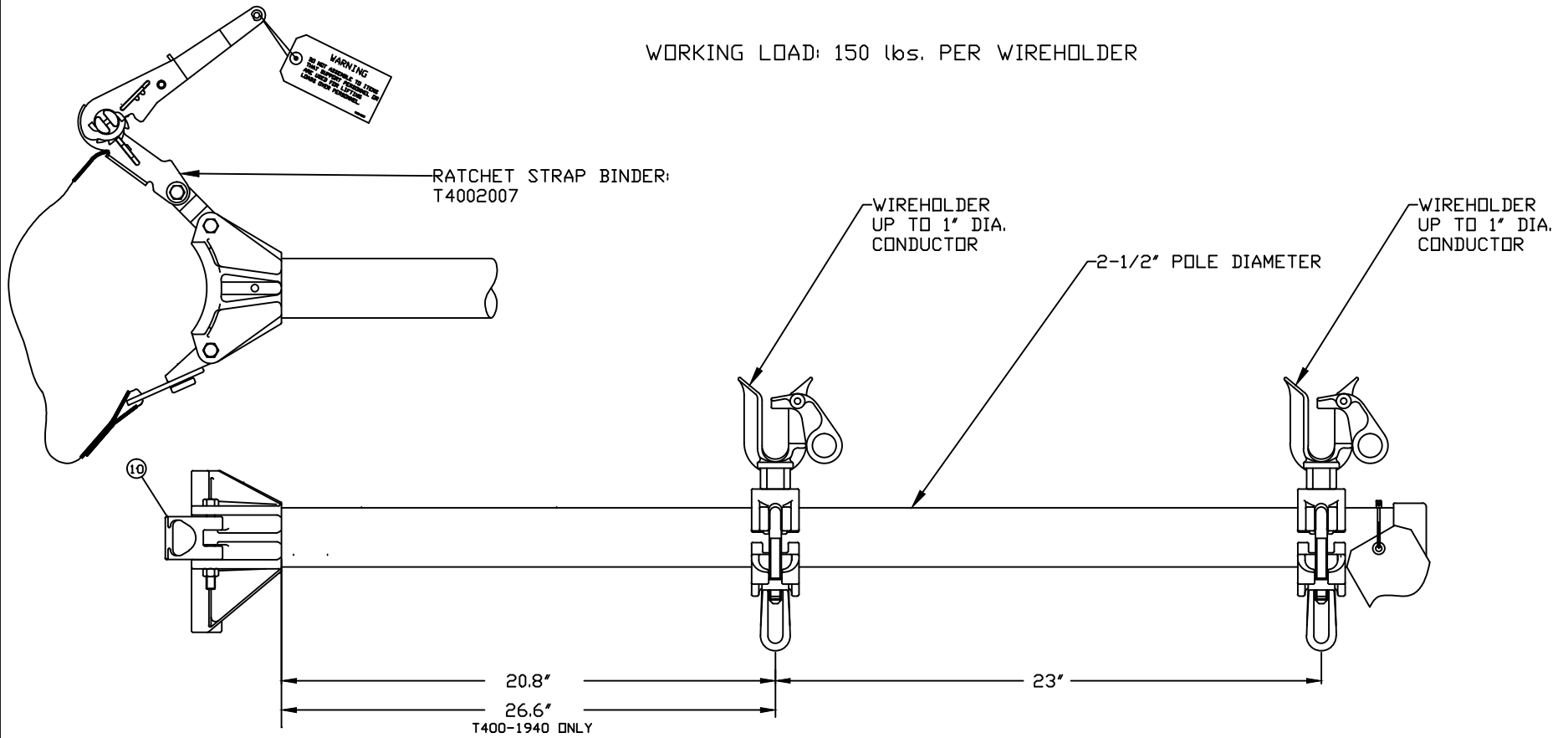


WORKING LOAD: 150 lbs. PER WIREHOLDER



TEMPORARY CONDUCTOR SUPPORT

CATALOG NUMBER	DESCRIPTION	WORKING LOAD PER WIREHOLDER
T400-1940	SINGLE CONDUCTOR SUPPORT	200 LBS
T400-1939	TWO CONDUCTOR SUPPORT	150 LBS

		HUBBELL® POWER SYSTEMS	
		TITLE SUPPORT, TANGENT CONDUCTOR TEMPORARY	
CONFIDENTIAL: THIS DRAWING AND ITS CONTENTS ARE CONFIDENTIAL AND THE EXCLUSIVE PROPERTY OF HUBBELL POWER SYSTEMS. NO PUBLICATION, DISTRIBUTION OR COPIES MAY BE MADE WITHOUT THE WRITTEN CONSENT OF HUBBELL POWER SYSTEMS. HUBBELL POWER SYSTEMS UNPUBLISHED ALL RIGHTS RESERVED UNDER THE COPYRIGHT LAWS.	SIZE D DWG NO. SA400-1939 DO NOT SCALE THIS DRAWING	CAT / PART / ASSY NO. T400-1939 DRN BY:RAM	REV -- DATE 5/19/14 SHEET 1 OF 1