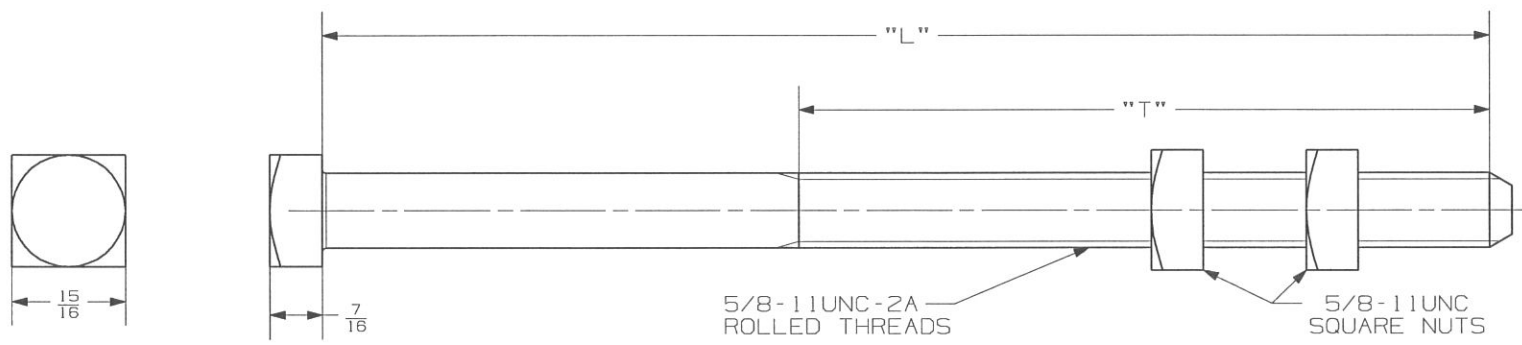


-NOTES-

1. MATERIAL: AISI 1015 HOT ROLLED STEEL.
2. FINISH: HOT DIP GALVANIZED PER ASTM A153 (LATEST REV).
3. BOLTS MEET ANSI SPEC C135.1 1979 REV. WITH MIN. TENSILE STRENGTH OF 12,400 LBS.



CATALOG NUMBER	"L"	"T"
400013520	6	4
400013645	8	6
400013652	10	6
400013660	12	6
400013678	14	6
400013686	16	6
400013694	18	6
400013702	20	6
400013710	22	6
400314274	24	6

LATEST EC NO:	REV.	DATE	CHANGED BY	RESP ENGINEER
---	-	-----	---	---
DRN BY: DATE			TITLE:	
BERGER		10-30-12	5/8 MACHINE BOLT	
HUBBELL POWER SYSTEMS		CHANCE		CAE CAD CAM
DWG NO:			SA400013520	

DO NOT SCALE THIS DWG
THIRD ANGLE PROJECTION
ISO DUAL DIMENSIONS
IN=INCH, MM=MILLIMETER

CONFIDENTIAL: THIS DRAWING AND ITS CONTENTS ARE CONFIDENTIAL AND THE EXCLUSIVE PROPERTY OF HUBBELL POWER SYSTEMS, INC. NO PUBLICATION, DISTRIBUTION OR COPIES MAY BE MADE WITHOUT WRITTEN CONSENT BY HUBBELL POWER SYSTEMS, INC. © 2012 HUBBELL POWER SYSTEMS. UNPUBLISHED, ALL RIGHTS RESERVED UNDER THE COPYRIGHT LAWS