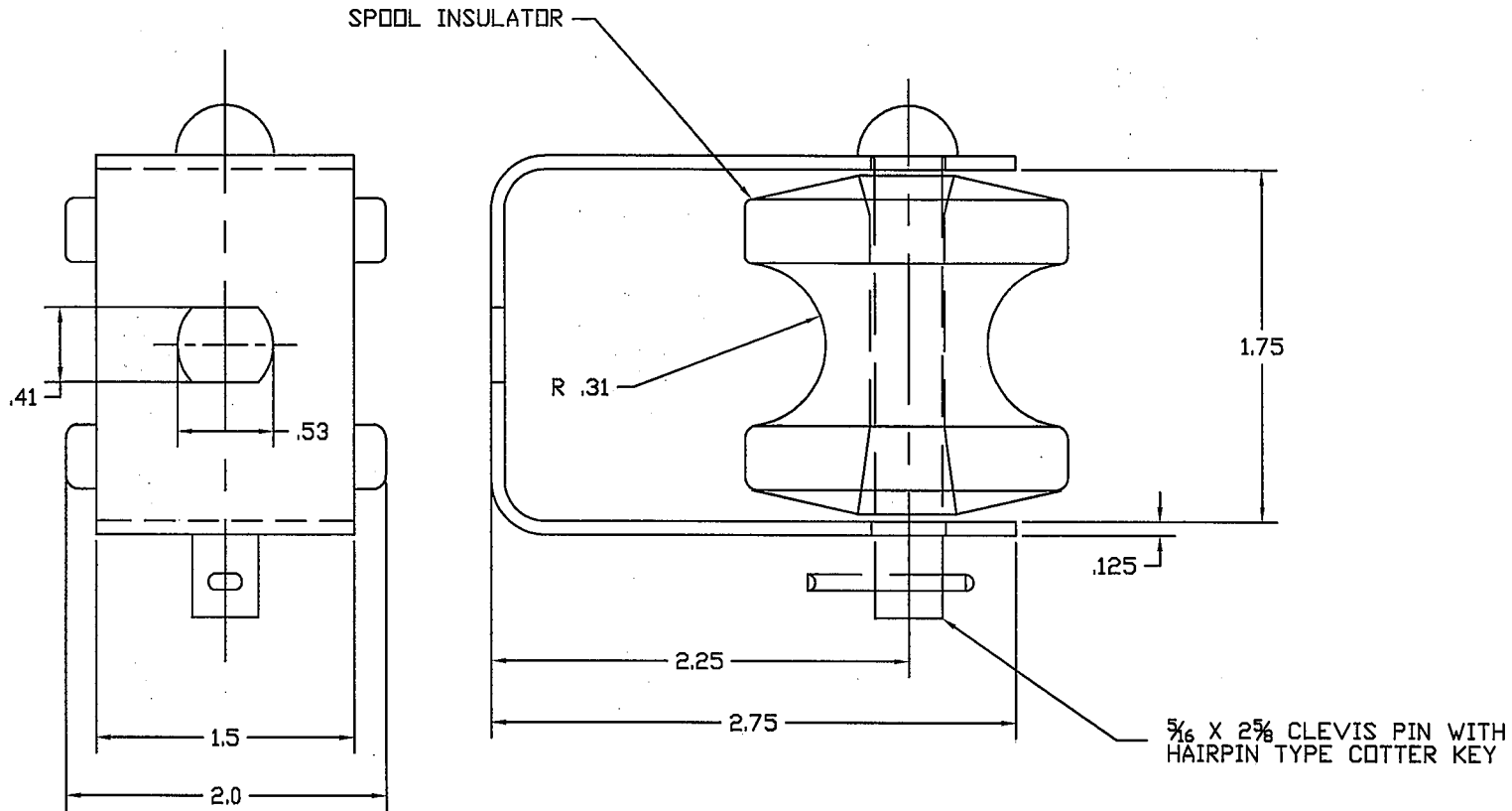



NOTE:

1.) ASSEMBLED COMPLETE AS SHOWN.



CATALOG NUMBER: 400017869

CHANCE TOLERANCE CHART		 <b>HUBBELL POWER SYSTEMS</b> <small>POWER SYSTEM, INC.</small>	
<small>CONFIDENTIAL: THIS DRAWING AND ITS CONTENTS ARE CONFIDENTIAL AND THE EXCLUSIVE PROPERTY OF HUBBELL POWER SYSTEMS. NO PUBLICATION, DISTRIBUTION OR COPIES MAY BE MADE WITHOUT THE WRITTEN CONSENT OF HUBBELL POWER SYSTEMS. HUBBELL POWER SYSTEMS UNPUBLISHED. ALL RIGHTS RESERVED UNDER THE COPYRIGHT LAWS.</small>			
TITLE		DEADEND BRACKET ASSEMBLY	
SIZE	DWG NO.	CAT / PART / ASSY NO.	REV
SB	SA400017869	400-017-869	---
DO NOT SCALE THIS DRAWING	DRN BY JJL	DATE 09/08/08	SHEET 01 OF 01