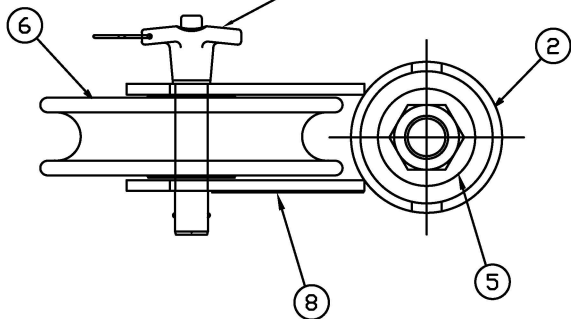
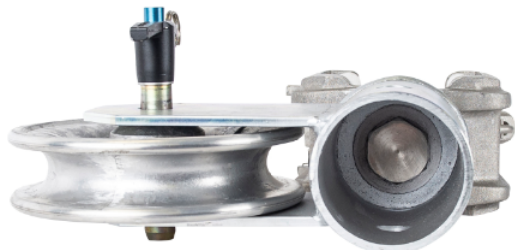


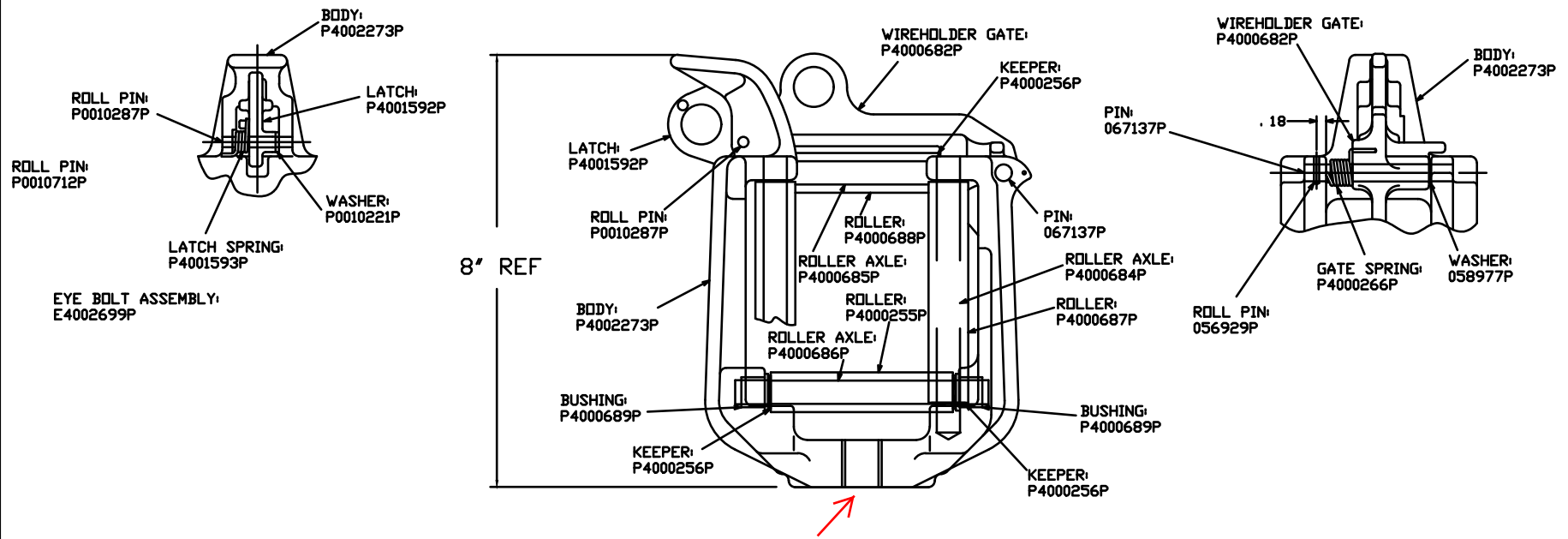
MUST SWIVEL FREELY.




PART NUMBER	ITEM	PART DESCRIPTION	QTY
E400-2228P	1	ROLLER WIREHOLDER	1
E400-2627P	2	BODY	1
P400-2629P	3	PIVOT BOLT	1
058946P	4	1-8UNC-2B LOCKNUT	1
P400-2229P	5	THRUST WASHER	2
P400-2598P	6	SHEAVE	1
P400-2601P	7	BALL LOCK PIN	1
PSP4002963P	8	LABEL	1



64671	4/8/16	RAM	RAM	CHANCE TOLERANCE CHART X ± .000 FRACTIONAL ANGLES 30° Y ± .000 AND NEXT ONE LESS NOTED Z ± .000 CASTING & FORGINGS	HUBBELL POWER SYSTEMS TITLE: JIB MTD. ROLLER WIRE HOLDER
EC #	DATE	CHG BY	RESP ENG		
DISC OF DWG ADD NOTE 2 ADD TO NOTE 1 ABOUT GREASE ADD SECOND THRUST WASHER ---			AREAS AFFECTED BY LATEST EC S.P.C. - - - X F.A.I. - - - X TOOL/EQUIP - - - X SUPPLIER - - - X GAUGES - - - X PRCS PROC - - - X PKG/LABEL - - - X INSP/TEST - - - X	CONFIDENTIAL: THIS DRAWING AND ITS CONTENTS ARE CONFIDENTIAL AND THE EXCLUSIVE PROPERTY OF HUBBELL POWER SYSTEMS. NO PUBLICATION, DISTRIBUTION OR COPIES MAY BE MADE WITHOUT THE WRITTEN CONSENT OF HUBBELL POWER SYSTEMS. HUBBELL POWER SYSTEMS UNPUBLISHED. ALL RIGHTS RESERVED UNDER THE COPYRIGHT LAWS.	SIZE: C DWG NO.: T400-2529 CAT / PART / ASSY NO.: T400-2529 REV: G
REASON (S) FOR CHANGE: SHOP OR ASSEMBLY PROBLEM FIX DISPOSITION OF MAT'L: USE STOCK			DO NOT SCALE THIS DRAWING DRN BY: MRTN DATE: 02-25-00 SHEET 01 OF 01		



E400228P IS THE COMPLETE ASSEMBLY FOR WIREHOLDER HEAD.
 INCLUDES ROLLERS ASSEMBLED.
 BOTTOM HOLE IS 1.031 INCH DIAMETER, DRILLED THROUGH, NO THREADS

CHANCE		 HUBBELL POWER SYSTEMS <small>POWER SYSTEMS, INC.</small>		
<small>CONFIDENTIAL: THIS DRAWING AND ITS CONTENTS ARE CONFIDENTIAL AND THE EXCLUSIVE PROPERTY OF HUBBELL POWER SYSTEMS. NO PUBLICATION, DISTRIBUTION OR COPIES MAY BE MADE WITHOUT THE WRITTEN CONSENT OF HUBBELL POWER SYSTEMS. HUBBELL POWER SYSTEMS UNPUBLISHED ALL RIGHTS RESERVED UNDER THE COPYRIGHT LAWS.</small>		<small>TITLE</small> SINGLE WIREHOLDER		
		<small>SIZE</small> B	<small>DWG NO.</small> SA4000747	<small>CAT / PART / ASSY NO.</small> SEE CHART
<small>DO NOT SCALE THIS DRAWING</small>		<small>DRN BY</small> RAM	<small>DATE</small> 8/24/17	<small>SHEET</small> 1 OF 1