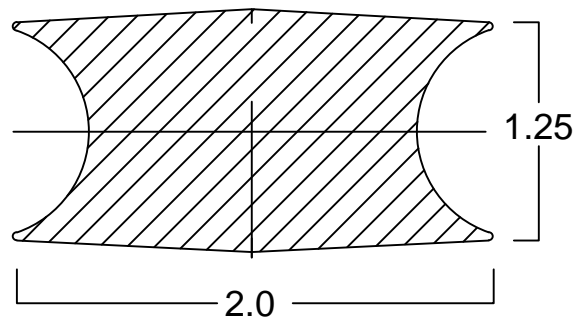
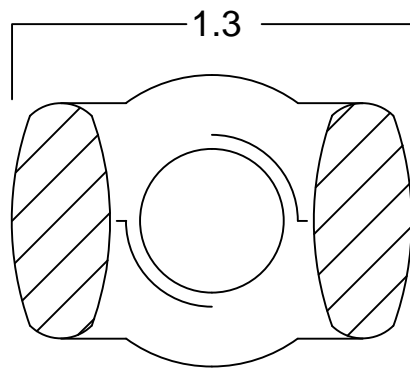



- NOTES--
1. FINISH; HOT DIP GALVANIZE PER ASTM A153
  2. CAT # 400-290-995 STAMPED WITH "1"

CATALOG NUMBER	DESCRIPTION
6512	THIMBLEYE NUT
400-290-995	THIMBLEYE NUT



<b>CHANCE</b> TOLERANCE CHART		 <b>HUBBELL</b> POWER SYSTEMS	
<small>CONFIDENTIAL: THIS DRAWING AND ITS CONTENTS ARE CONFIDENTIAL AND THE EXCLUSIVE PROPERTY OF HUBBELL POWER SYSTEMS. NO PUBLICATION, DISTRIBUTION OR COPIES MAY BE MADE WITHOUT THE WRITTEN CONSENT OF HUBBELL POWER SYSTEMS. HUBBELL POWER SYSTEMS UNPUBLISHED ALL RIGHTS RESERVED UNDER THE COPYRIGHT LAWS.</small>		TITLE <b>THIMBLEYE NUT, 1 INCH</b>	
SIZE B	DWG NO. SA400290995	CAT / PART / ASSY NO. SEE CHART	REV -
DO NOT SCALE THIS DRAWING	DRN BY JMK	DATE 01/08/13	SHEET 1 OF 1