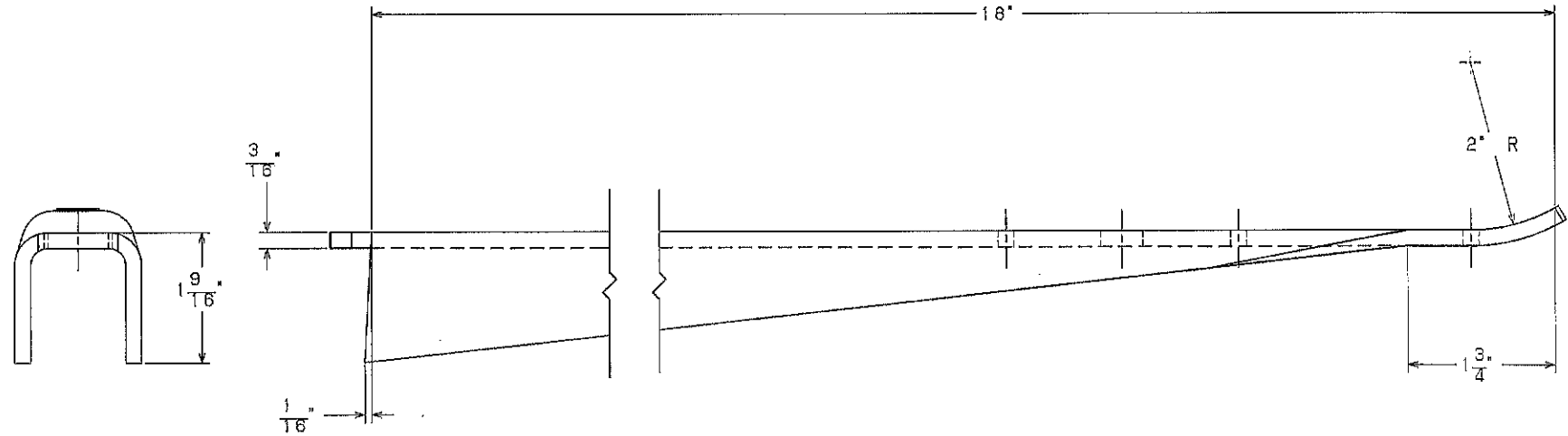
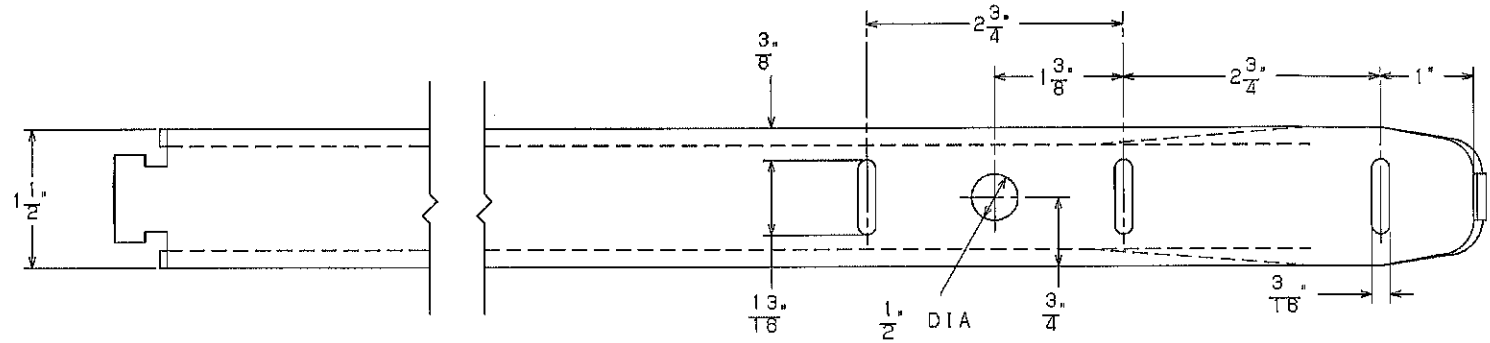


-NOTES-

1. MAT'L: STEEL.
2. HOT DIP GALVANIZED PER ASTM A153.



CATALOG NUMBER
C400-314-472

LATEST EC NO:		REV.	DATE	CHANGED BY	RESP ENGINEER
94090905		-	-----	---	HOYT
					DO NOT SCALE THIS DWG THIRD ANGLE PROJECTION ISO DUAL DIMENSIONS IN=INCH, MM=MILLIMETER
DRN BY:	DATE	TITLE:		SIZE	
QUALLS	93-06-05	CABLE HOOK		C	
				DWG NO: SA400-314472	

CONFIDENTIAL: THIS DRAWING AND ITS CONTENTS ARE CONFIDENTIAL AND THE EXCLUSIVE PROPERTY OF HUBBELL / A. B. CHANCE COMPANY. NO PUBLICATION, DISTRIBUTION OR COPIES MAY BE MADE WITHOUT WRITTEN CONSENT BY HUBBELL / A. B. CHANCE COMPANY. © 2000 HUBBELL/A. B. CHANCE. UNPUBLISHED - ALL RIGHTS RESERVED UNDER THE COPYRIGHT LAWS